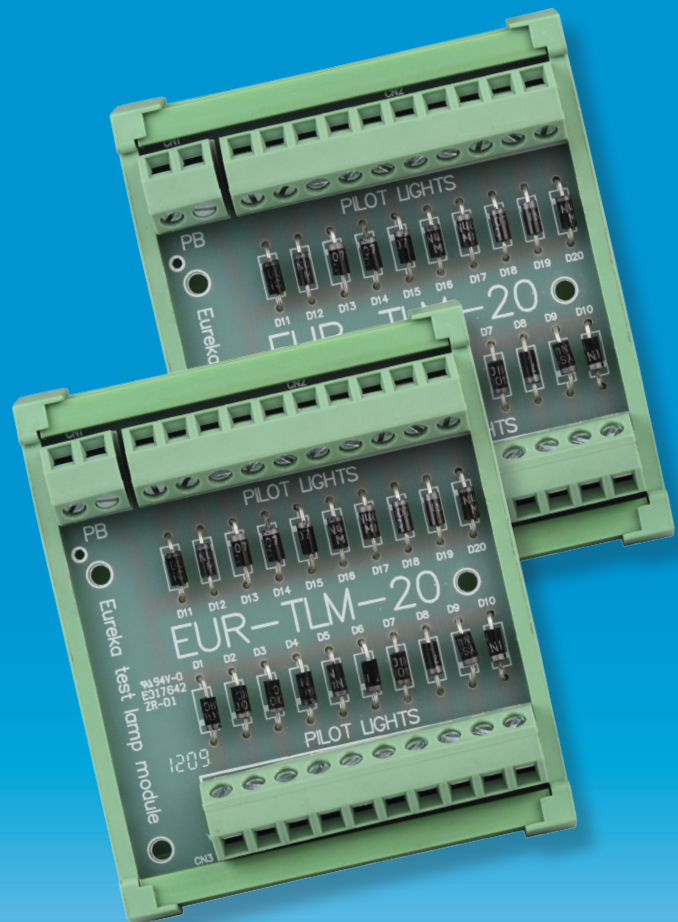




TEST LAMP MODULE

EUREKA TEST LAMP MODULES (TLM) provide a simple and economical means of providing lamp test facilities in electrical switchboards. The modules are suitable for DIN rail mounting and use IN4007 diodes which are rated to 1000V and 1 Amp for superior reliability. The modules are suitable for both incandescent globes and LED pilot lights.

The **TLM-20** consists of a common anode array of 20 x diodes and is used in lamp test circuits where the lamp circuit has a separate switched contact to avoid feedback, i.e. not looped from relay or contactor coil. If the lamp circuit is wired direct from relay or contactor coil, the half wave rectifying effect of the diode will cause the relay or contactor to 'chatter' when the lamp test button is pressed.



Distributed by:



98 Commercial Drive,
Thomastown VIC 3074
Phone (03) 9464 6555
Fax (03) 9464 5155
Email sales@nawcontrols.com.au
www.nawcontrols.com.au

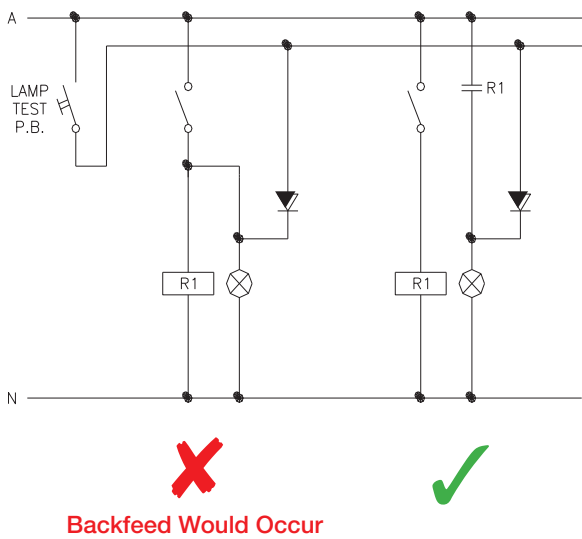
24/256 Musgrave Road,
Coopers Plains QLD 4108
Phone 1300 NAW NAW
Fax (07) 3272 7564
Email sales.qld@nawcontrols.com.au
www.nawcontrols.com.au



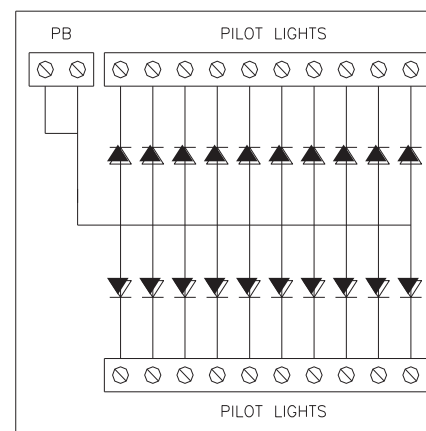
2C Brunker Road,
Chullora NSW 2190
Phone 1300 TOBINS, (02) 8713 5200
Fax (02) 9790 5211
Email sales@tobins.com.au
www.tobins.com.au

Delivering You The World Of Electrical Switchgear Since 1990 – AN AUSTRALIAN OWNED COMPANY

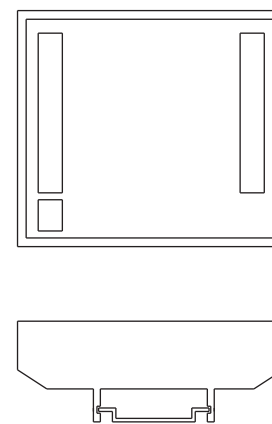
TLM-20 Wiring Examples



Diode Array Configurations



Dimensions



68mmW x 85mmH x 35mmD

Precautions

These diodes modules should only be used in 24V circuits - **NOT 240V**. The physical design does not provide the required 'Touch Safe' IP rating required under Australian Standard AS3000. Additionally when 240V incandescent globes fail, they generally short circuit for a brief moment and the energy produced will destroy the diode in that circuit.