



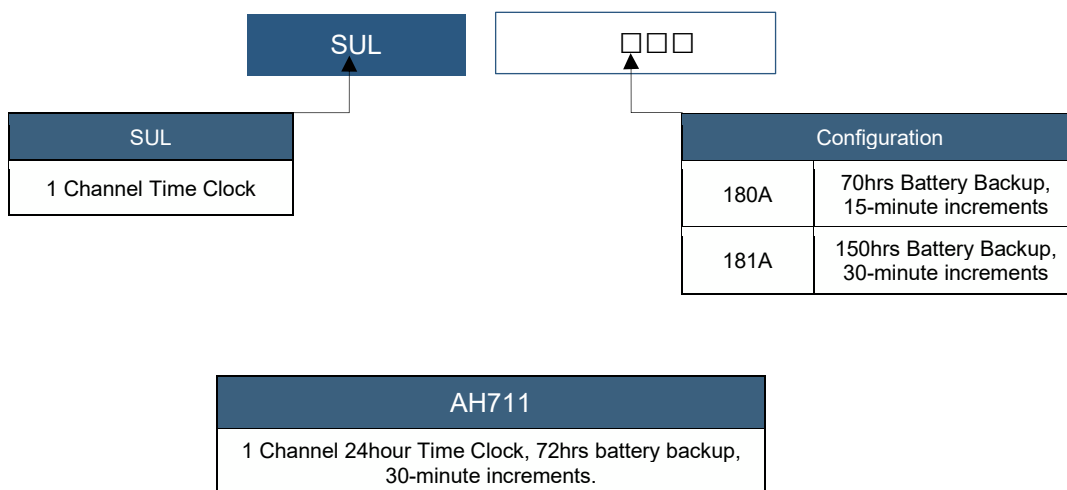
SUL180A

SUL181H

AH711

Eureka Analogue Time Clocks

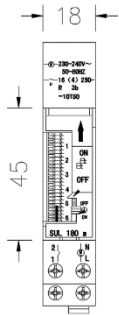
- Analogue Time Switch
- 1 Channel
- Daily Program
- Quartz Controlled
- Screw Terminals
- Power Reserve; NiMH Rechargeable Battery
- EMC compliant as per AS/NZ 61439



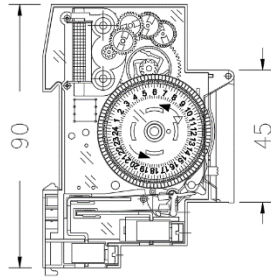
Properties

	Properties		
	SUL180A	SUL181A	AH711
Manufacturer	Eureka		
Product Range	Eureka Analogue 240VAC Time Clocks		
Degree of Protection	IP 20	IP 20	IP 20
Rated Voltage	240 VAC		
Frequency	50 / 60 Hz		
Drive	Quartz-controlled stepper motor		
Power Consumption	1 VA	1.5 VA	0.5 VA
Power Reserve	70 hours	150 hours	72 hours
Max. Switching Capacity, $\cos \phi = 1$	16 A	16 A	16 A
Max. Switching Capacity, $\cos \phi = 0.6$	4 A	4 A	4 A
Incandescent / Halogen Lamp Load	1000 W	1100 W	600 W
LED Lamp < 2 W	30 W	20 W	20 W
LED Lamp > 2 W	90 - 100 W	180 W	100 W
Shortest Switching Time	15 minutes	30 minutes	30 minutes
Time Accuracy at 25 °C	$\leq \pm 2$ seconds / day	$\leq \pm 2$ seconds / day	$\leq \pm 2$ seconds / day
Type of Contact	NO Contact	Changeover Contact	Changeover Contact
Number of Switching Segment	96 Switching Segments	48 Switching Segments	144 Switching Segments
Housing and Insulation Material	High-Temperature resistant, Self - Extinguishing Thermoplastic		
Test Approvals	CE		

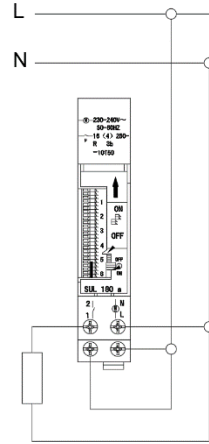
### Dimensions for SUL180A



FRONT VIEW

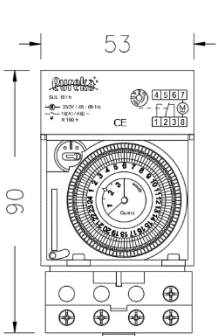


SIDE VIEW

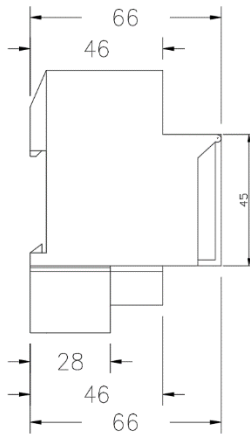


CONNECTION DIAGRAM

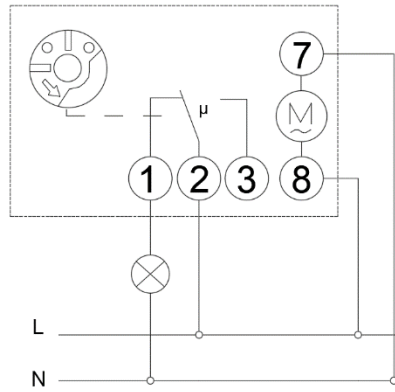
### Dimensions for SUL181H



FRONT VIEW

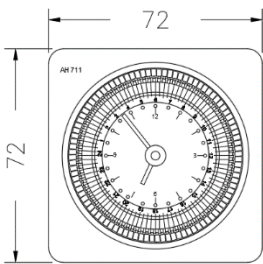


SIDE VIEW

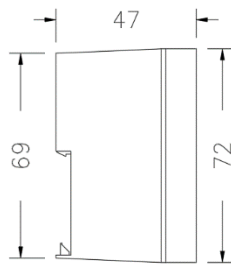


CONNECTION DIAGRAM

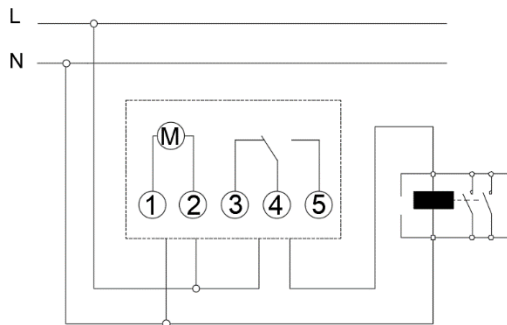
### Dimensions for SUL181H



FRONT VIEW



SIDE VIEW



CONNECTION DIAGRAM