

Catalogue number: **CO**□**PH**□□□□  
**SC**□□□□□□, **S**□**P**□□□□

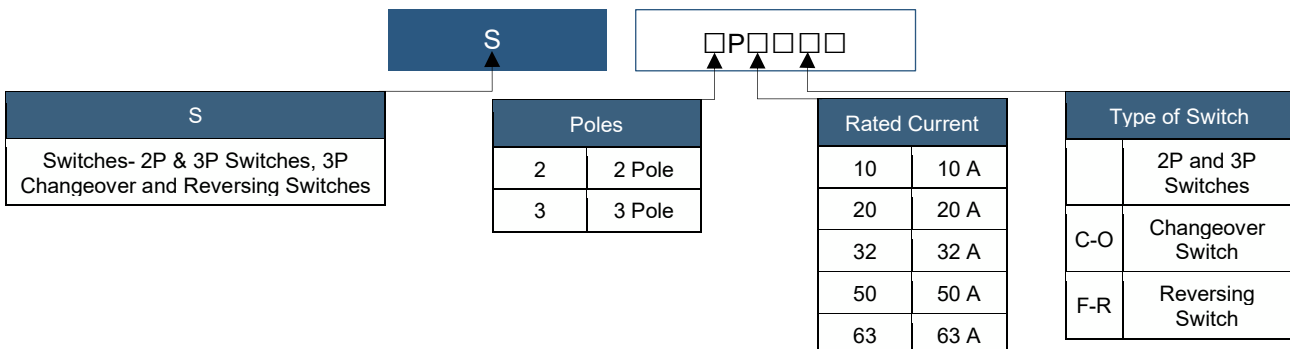
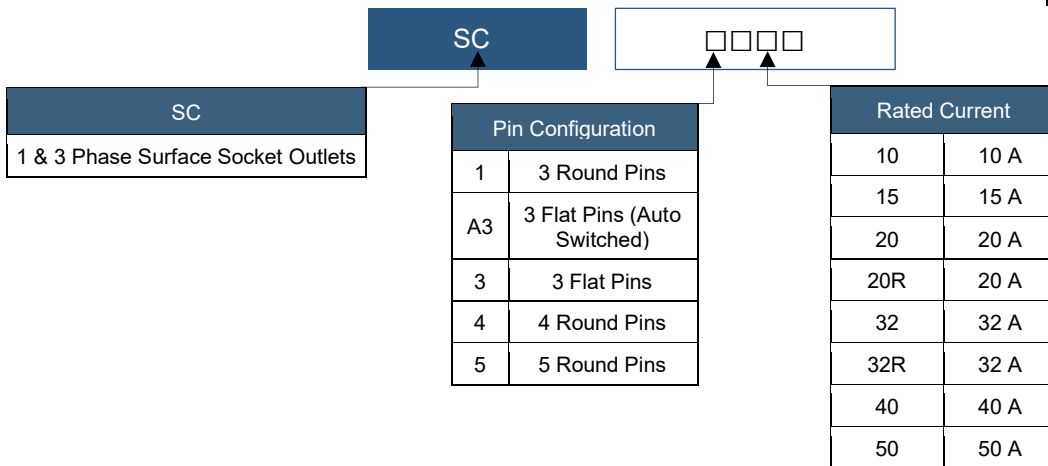
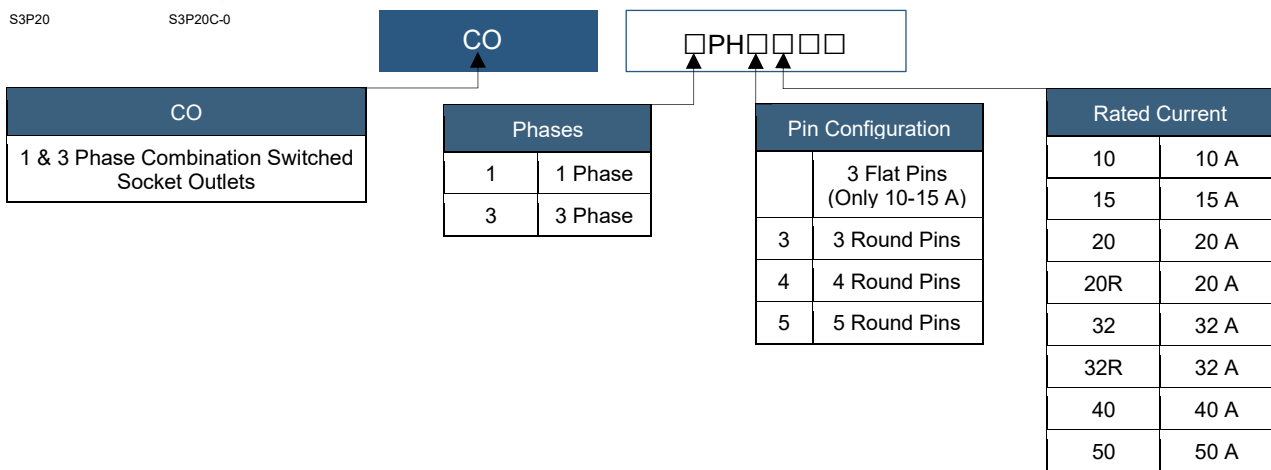


GEN3 1 Phase and 3 Phase Combination Switched Socket Outlets,  
 Surface Socket Outlets, Changeover and Reversing Switches



GEN3 Socket Outlets

- Combination Outlet from 10 to 50A
- Available in 3, 4 and 5 pin
- IP Rating; IP66
- Made from PCA 18 virgin grade plastics
- All internal connections have greater than 80% Copper content, which helps with the heat rise.
- Compatible with other major brands
- Standards; Conforming to AS/NZS 3123:2005
- Approval: RCM



Catalogue number: **CO□PH□□□□**  
**SC□□□□□□, S□P□□□□**

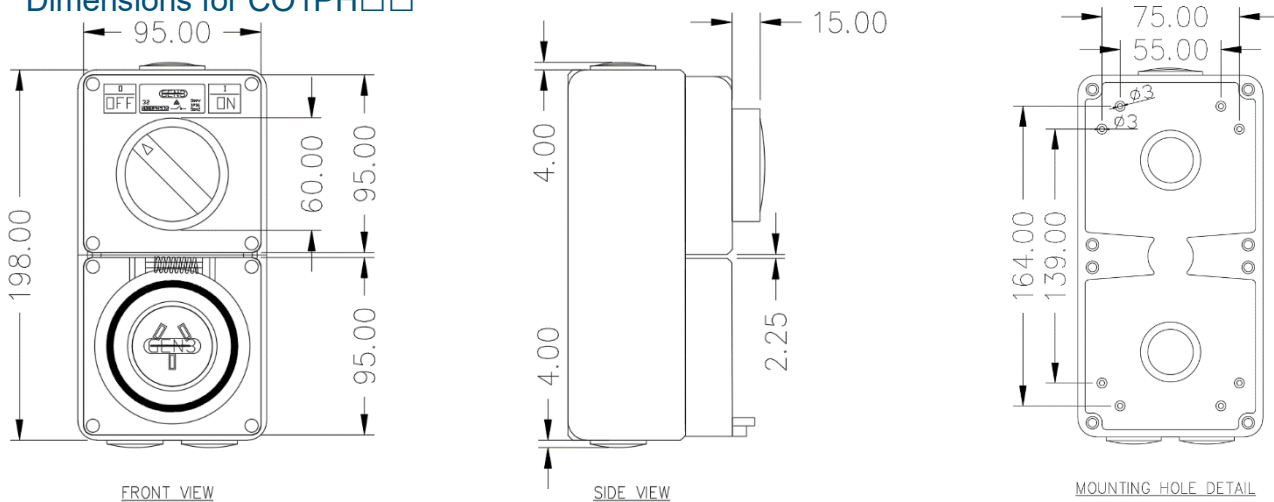


GEN3 1 Phase and 3 Phase Combination Switched Socket Outlets,  
 Surface Socket Outlets, Changeover and Reversing Switches

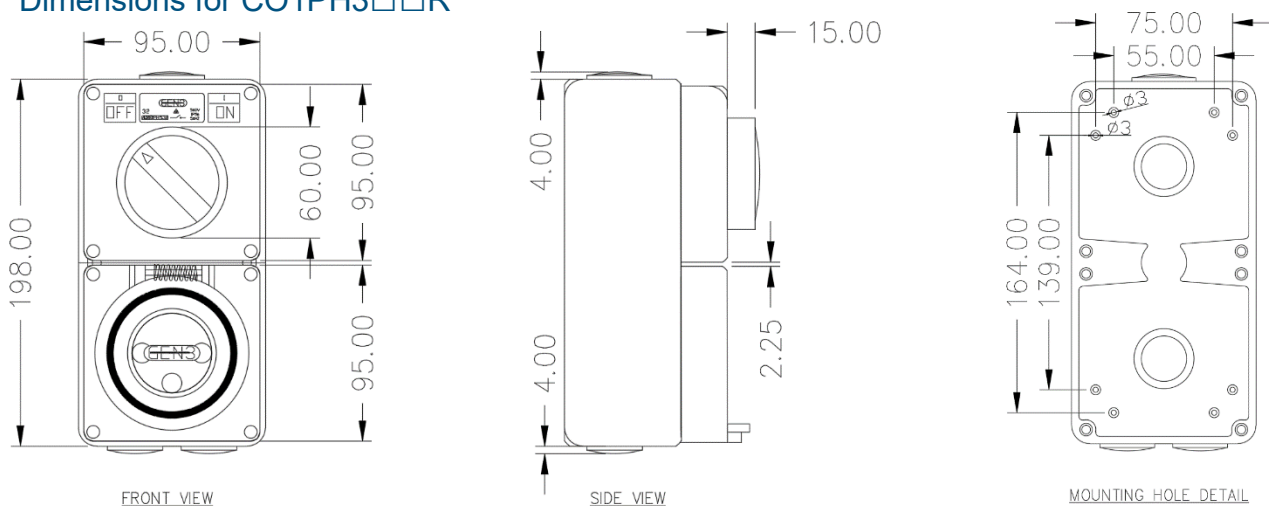
### Properties

Properties	
Manufacturer	GEN3
Product Range	GEN3 Industrial Switches and Plug Sets
IP Rating	IP66
Rated Current	10 - 50 A
Rated Voltage	250 V (1 Phase), 500 V (3 Phase)
Standards	AS/NZS 3123:2005

### Dimensions for CO1PH□□



### Dimensions for CO1PH3□□R

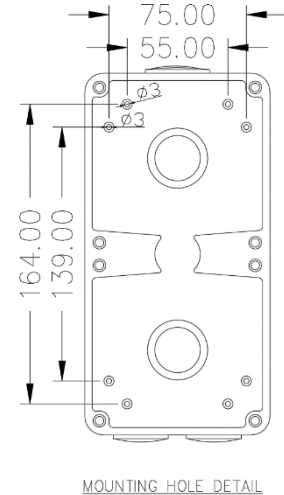
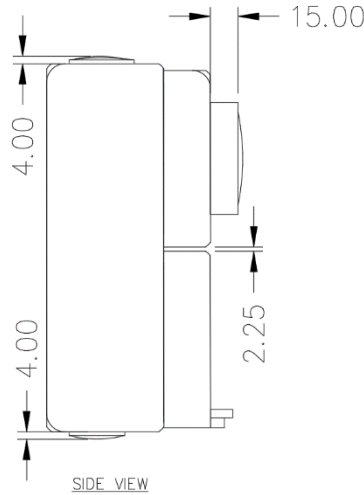
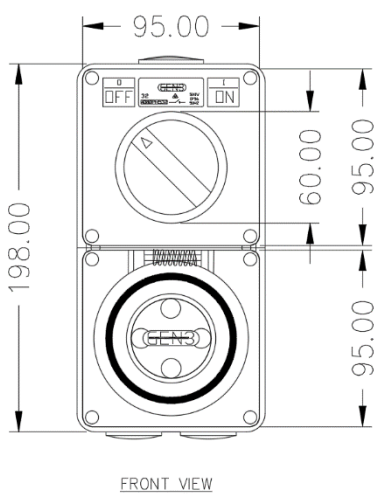


Catalogue number: **CO□PH□□□□**  
**SC□□□□□□, S□P□□□□□**

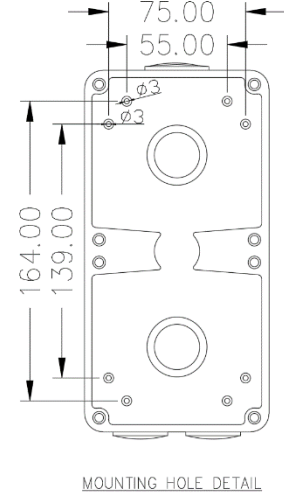
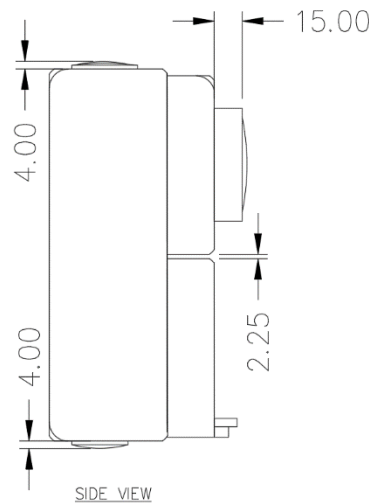
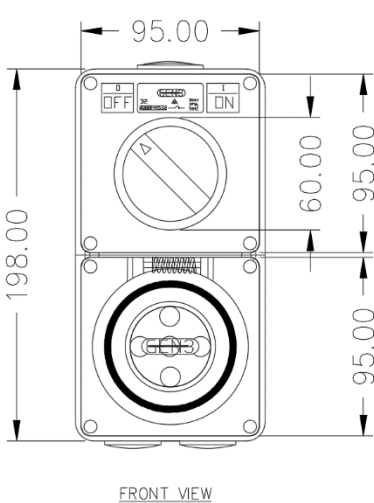


GEN3 1 Phase and 3 Phase Combination Switched Socket Outlets,  
 Surface Socket Outlets, Changeover and Reversing Switches

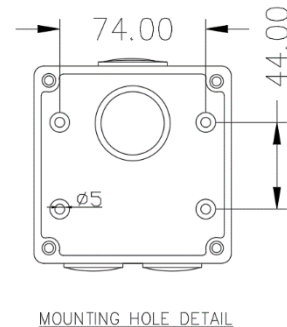
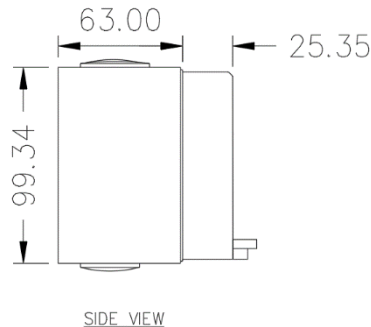
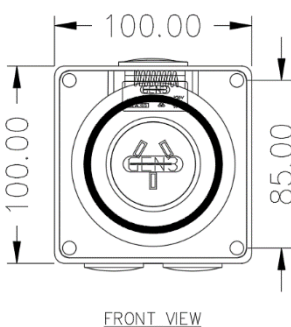
**Dimensions for CO3PH4□□**



**Dimensions for CO3PH5□□**



**Dimensions for SCA3□□ / SC3□□**

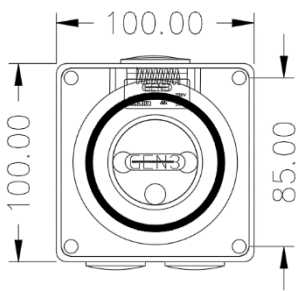


Catalogue number: **CO□PH□□□□**  
**SC□□□□□□, S□P□□□□**

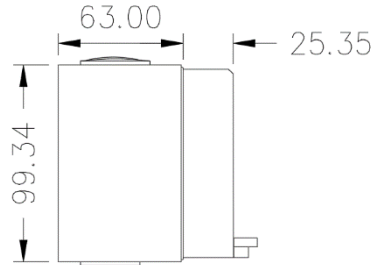


GEN3 1 Phase and 3 Phase Combination Switched Socket Outlets,  
 Surface Socket Outlets, Changeover and Reversing Switches

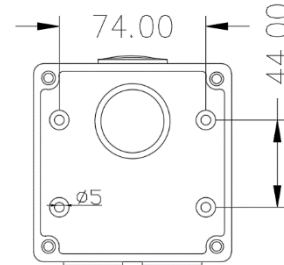
**Dimensions for SC1□□R**



FRONT VIEW

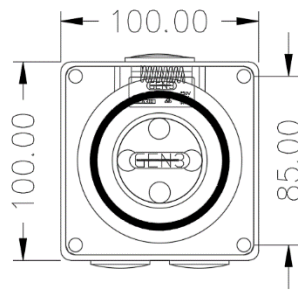


SIDE VIEW

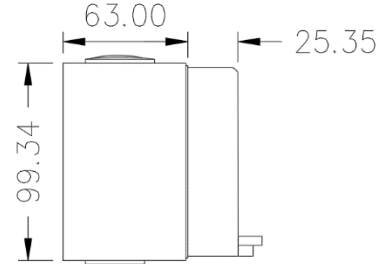


MOUNTING HOLE DETAIL

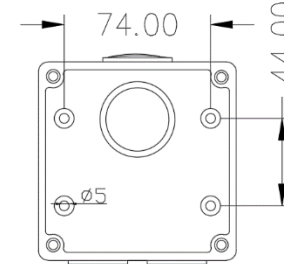
**Dimensions for SC4□□**



FRONT VIEW

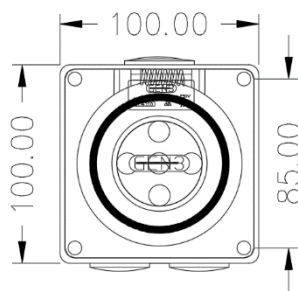


SIDE VIEW

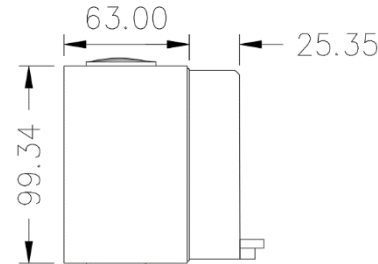


MOUNTING HOLE DETAIL

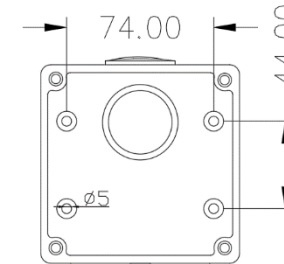
**Dimensions for SC5□□**



FRONT VIEW

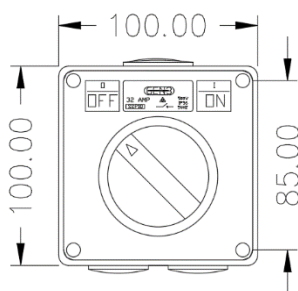


SIDE VIEW

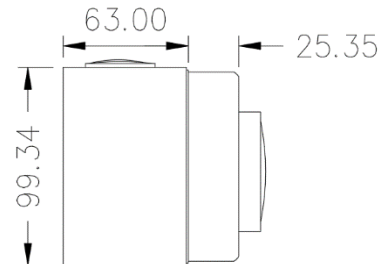


MOUNTING HOLE DETAIL

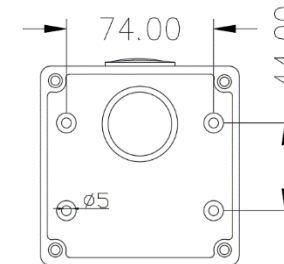
**Dimensions for S□P□□**



FRONT VIEW



SIDE VIEW



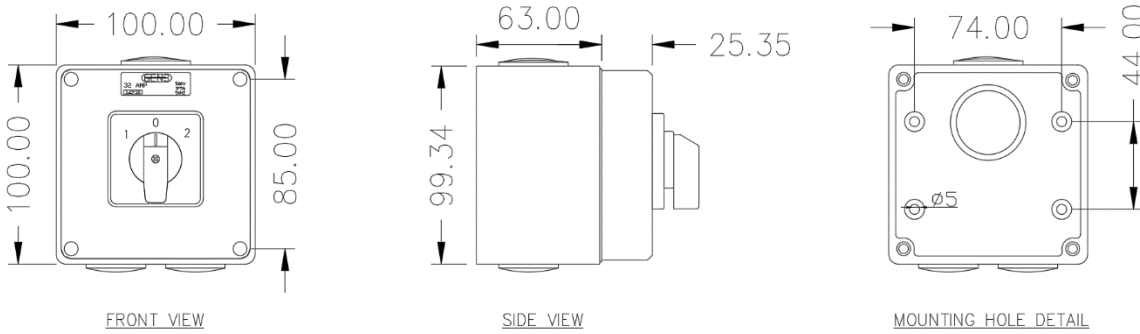
MOUNTING HOLE DETAIL

Catalogue number: **CO□PH□□□□**  
**SC□□□□□□, S□P□□□□**

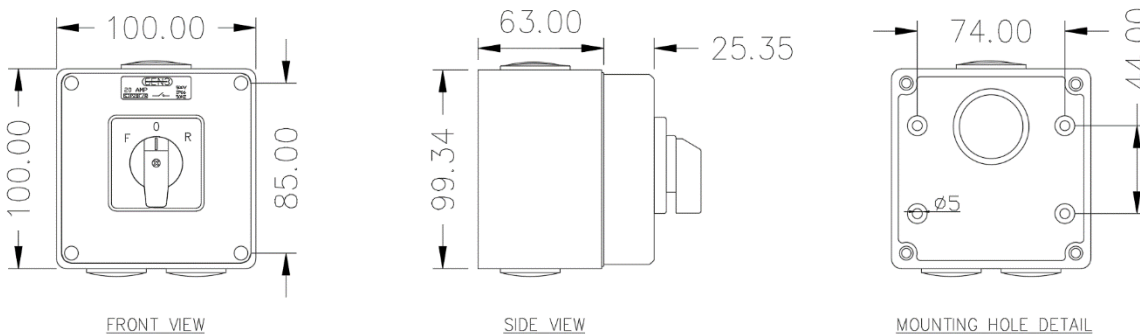


GEN3 1 Phase and 3 Phase Combination Switched Socket Outlets,  
 Surface Socket Outlets, Changeover and Reversing Switches

**Dimensions for S3P20C-O**



**Dimensions for S3P20F-R**



**Wiring Instructions for S3P20C-O/S3P20F-R**

