

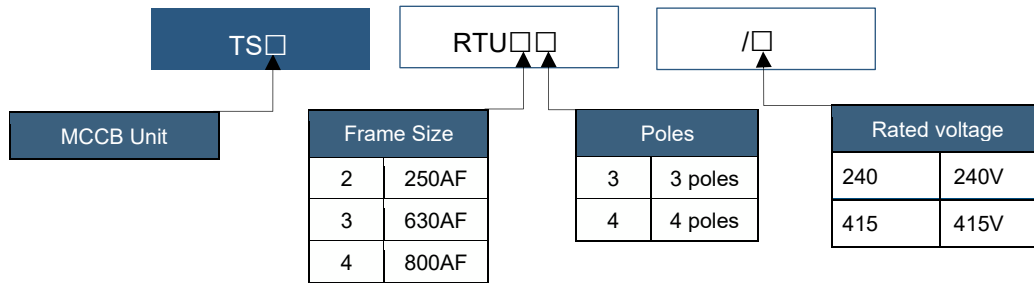
Catalogue number: **TS□-RTU□/□□**

Residual Current device 0.03-10A 0-600ms

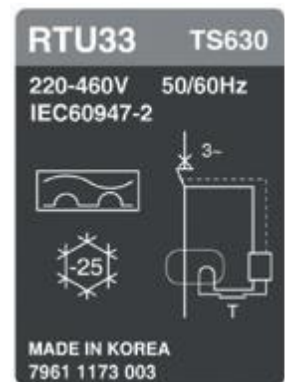
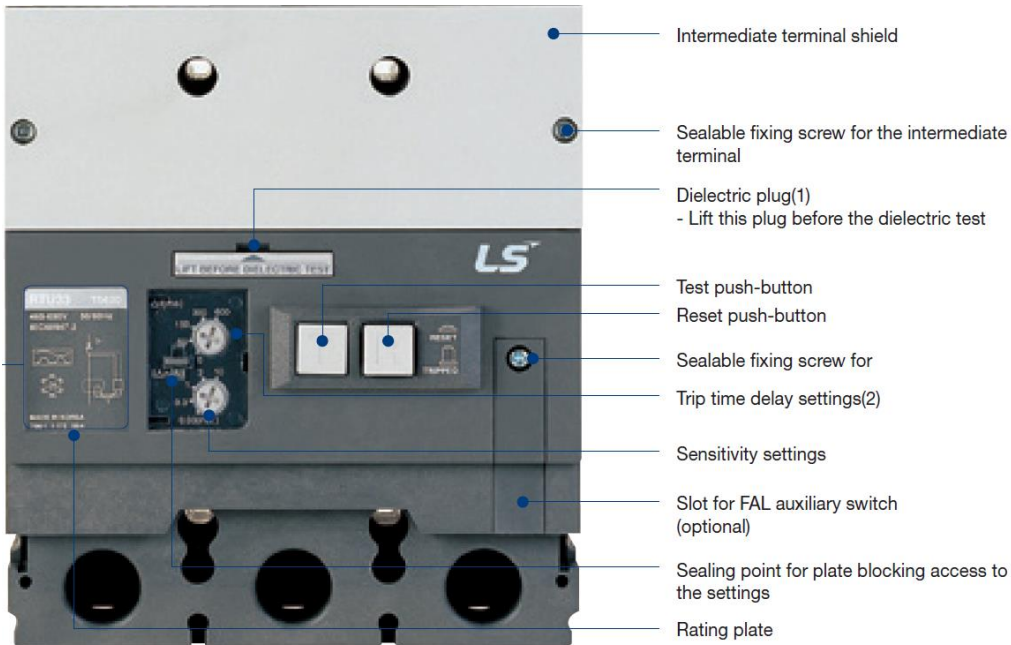


Residual Current device

- Conformity with standards
- Adjustable sensitivity
- Adjustable delay time
- Adjustable breaking time
- Protection degrees, class II insulation front face
- Suitability for isolation as defined by IEC 60947-2
- Direct attachment to the MCCB.
- FAL, fault alarm switch optional



Configuration



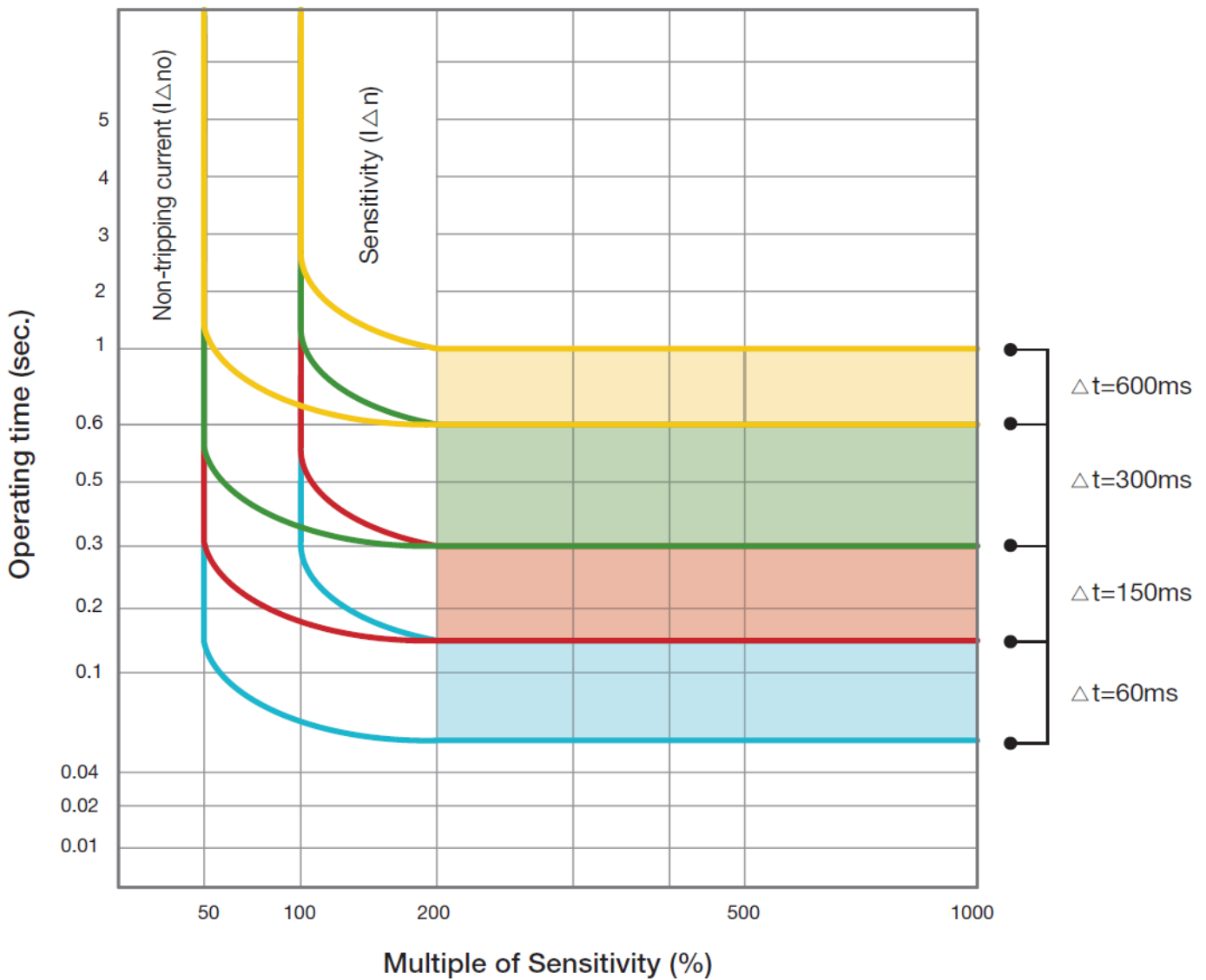
1 Rating Plate

Specifications

RCD Unit		RTU23	RTU33	RTU43
Sensitivity		Adjustable: 0.03-0.3-1-3-10		
Time delay	Intentional Time delay (ms)	Adjustable: 0-60-150-300-600		
	Max. breaking Time (ms)	Adjustable: 40-150-300-600-900		
Rated Voltage	AC 50/60 Hz	220~460V/ 460~690V		

****Optional Auxiliary: Fault Alarm switch (FAL)**
 RTU can not be applied to 63A or less MTU type MCCBs
 RTU can not be applied to Electronic MCCB or MCCB attached with direct and extension handles.
 If the sensitivity is set to 30mA, the time delay is reduced to zero.

Time Delay Curves (RCD)



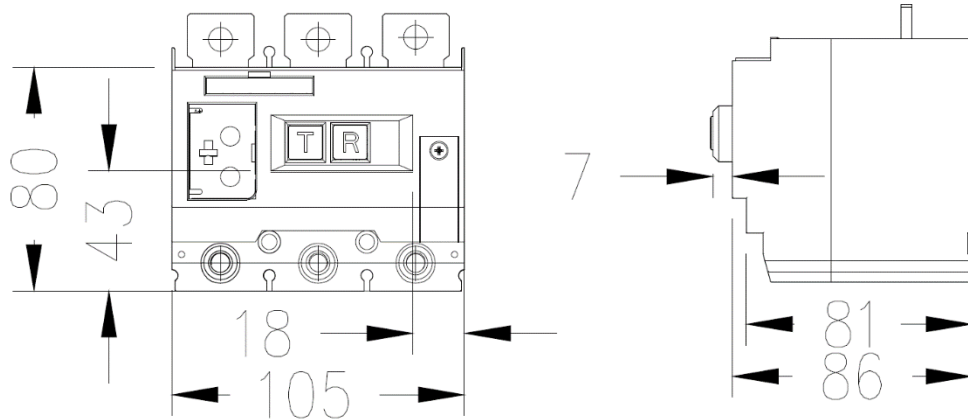
Catalogue number: **TS□-RTU□/□□**

Residual Current device 0.03-10A 0-600ms

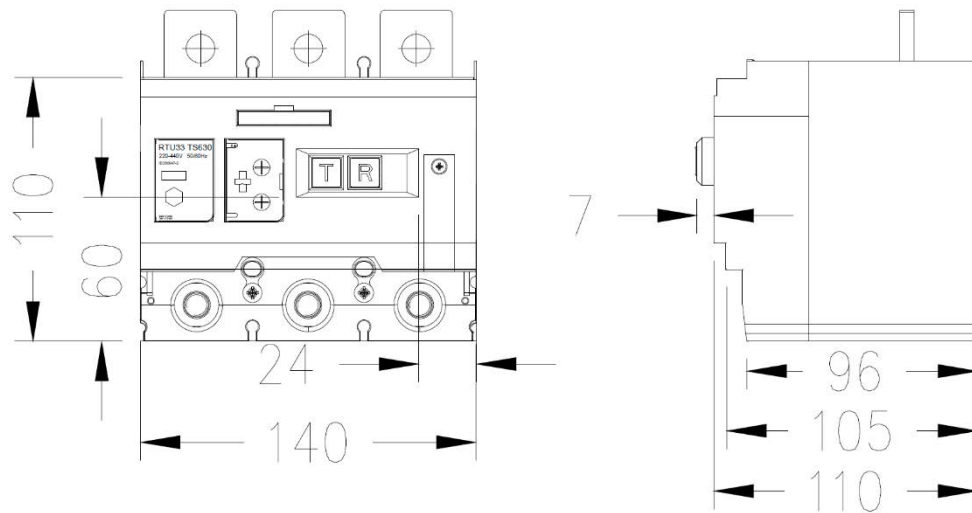
eureka

TOBIN
ELECTRICAL COMPONENTS

Dimensions for RTU23



Dimensions for RTU33



Dimensions for RTU43

