



AHC-812

Dual Channel 240VAC Time Clock

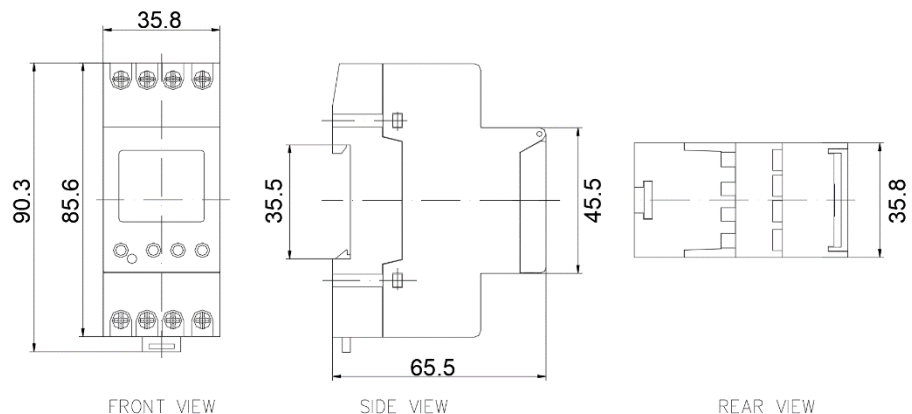
- Programmable Electronic Time Clock
- Dual Channel Time Clock
- Power Reserve; 4 Years with Lithium Battery
- Lock Functions with Pin Codes
- Automatic Summer / Winter Time
- Random or Holiday Programming
- Built-in Lithium Battery / Power Failure Memory

AHC-812
2 Channel 240VAC 24 Hour 7 Day Digital Time Clock

Properties

Properties	
Product Range	Eureka Digital Time Clock
Rated Supply Voltage	230~240 VAC
Rated Frequency	50 / 60Hz
Consumption	Max. 10mA
Switching Power	16A, 250V; $\cos\phi=1$ 10A, 250V; $\cos\phi=0.6$ Min. 100mA, 24V AC/DC
Incandescent Lamp Load	2300W
Halogen Lamp Load	2300W
Flourescent Lamp Load	Non-compensated Series compensated 1000W Parallel compensated 400W (42 μ f)
Compact Flourescent Lamp Load	9x7 W 7x11 W 7x20 W 9x23 W
Timing Basis	Quartz
Working Precision	$\leq 1 \pm \text{Sec} / \text{Day}$ at 20°C
Power Reserve	Approx. 4 years with Display
Enclosure Material	High-temperature resistant, Self-extinguishing Thermoplast
Protection Class	11 in compliance with EN60730-1
Degree of Protection	IP 20 in compliance with EN60529
Ambient Temperature	-10°C ~ +50°C

Dimensions for AHC-812



INSTRUCTION MANUAL

SAFETY INFORMATION

The connection and installation of electrical must be performed by a skilled electrician only. Any intervention into or modifications to the appliance shall lead to the lapse of all warranty rights.

DESCRIPTION OF FRONT PANEL

0-24

Overview per day of the programmed switching times C1 or C2

Channel statuses

C1 or C2 are displayed alternately* **ON/OFF**

*Applies only for 2 channel (Art.no 13 396 04)

Service voltage ok:

Two flashing dots

Power reserve mode:

Three flashing dots

Display of special function:

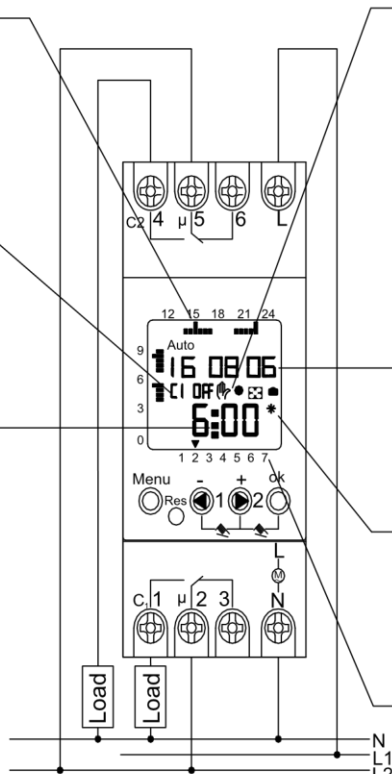
- Manual preselection
- Permanent ON/OFF
- Random programme active
- Holiday programme active

Date
DD-MM-YY

Displayed only when summer/winter time changeover is activated

- Summer time
- Winter time

Current days of the week
1=Monday, 2=Tuesday,...



2 channel (Art.no 13 396 04)

Connections 4-6 does not apply for 1 channel (Art.no 13 396 03)

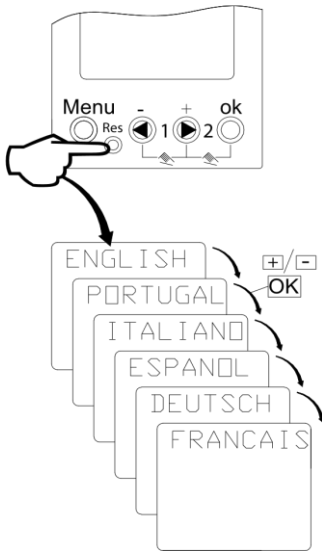
FIRST CONTACT

The timer is delivered in so-called sleep mode.
To increase the power reserve, the switch changes to the sleep mode after approx. 10 minutes.

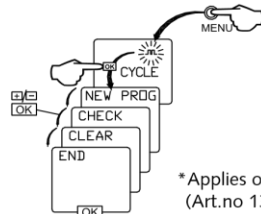
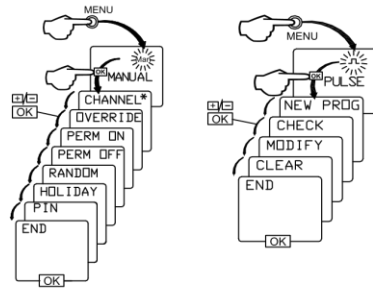
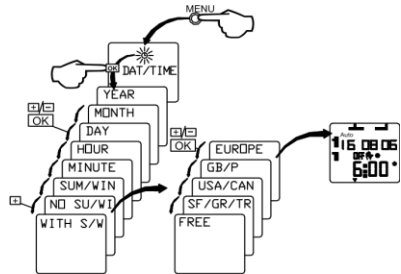
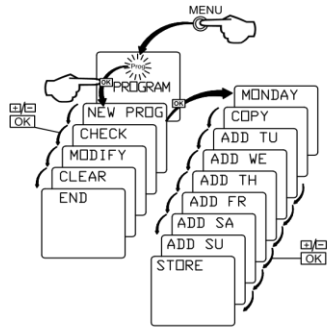
Setting the timer is possible before mounting and connection to the mains voltage. Briefly press the "Menu" key to activate the timer.

Basic Settings

Select language with the right and left arrow and press "OK" to confirm. Set the year, month, day, hour and minute with the arrows and press "OK" after each selection. The timer is now ready for programming.

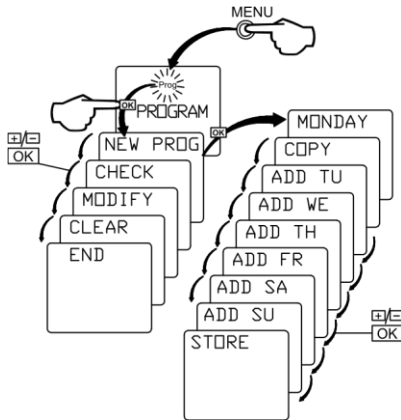


PROGRAMME OVERVIEW



*Applies only for 2 channel (Art.no 13 396 04)

PROGRAMMING THE SWITCHING TIMES



Memory Locations

There is a total of 44 memory locations available. Each switching time per channel occupies one memory location. If the same time setting is used for several days, they only occupy one location.

E.g.

Channel 1 ON 06.30 Monday
= 1 location

Channel 1 ON 07.00 Monday to Friday
= 1 location

Programming example

1. Select **PROG** by pressing the "Menu" key.
2. press the "OK" key.
3. Select **NEW** by pressing the "OK" key.
- 4*. Select channel **C1** or **C2** by pressing "+" or "-". press the "OK" key to confirm.
5. Select **ON/OFF** by pressing "+" or "-". press the "OK" key to confirm.
6. Set the hours by pressing the "+" or "-" key. press the "OK" key to confirm.
7. Set the minutes by pressing the "+" or "-" key. press the "OK" key to confirm.

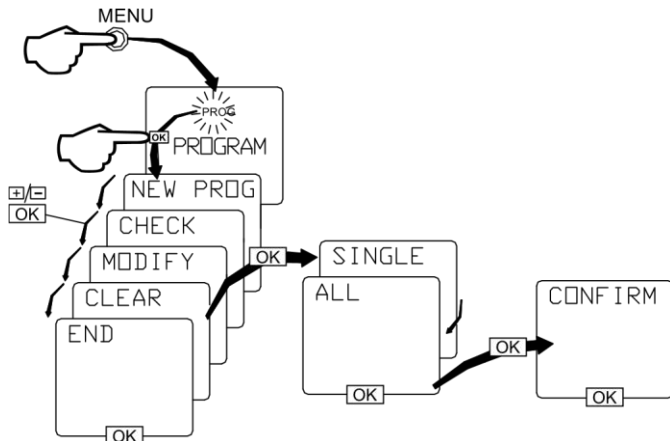
To store one day of the week only

1. Select weekday by pressing "+" or "-". press the "OK" key to confirm.
2. Select **STORE** by pressing "+" or "-". press the "OK" key to confirm.

To copy to other days of the week

1. Select **COPY** by pressing "+" or "-". press the "OK" key to confirm.
2. Select weekday by pressing "+" or "-". press the "OK" key to confirm.
3. To leave out a day of the week, skip by pressing the "+" key.
4. finally select **STORE** by pressing "OK".

INDIVIDUAL DELETIONS



OVERRIDE PERMANENT ON OR Off

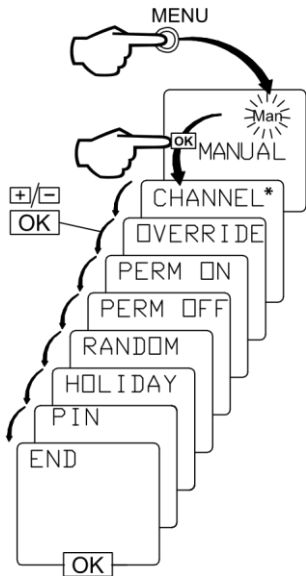
Via the automatic menu **Auto** only

	Channel 1	Channel 2*
press the two keys for approx. 1 sec.	Manual preselection: press keys simultaneously. Channel C1 switches alternately between ON or Off. Symbol appears. Manual preselection is corrected again by the stored programme.	Manual preselection: press keys simultaneously. Channel C2 switches alternately between ON or Off. Symbol appears. Manual preselection is corrected again by the stored programme.
press the two keys for approx. 2 sec.	permanent ON Off ● ●	permanent ON ● Off ●

Cancellation of manual preselection/permanent switching:


Briefly press the keys shown above.

PERMANENT ON OR OFF, RANDOM OR HOLIDAY PROGRAMME



Effect of the random programme:

The random programme causes the timer to switch between programmed pairs of switches (ON and Off). The random on and off times range between approx. 10 mins. and 120 mins. The random time always begins with Off.

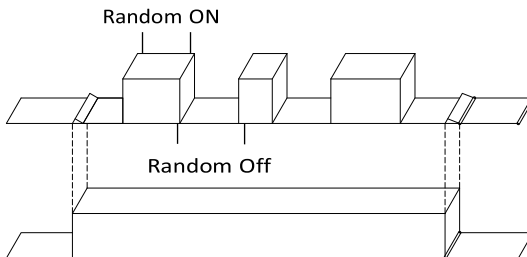
Symbol  flashes when the random programme is effective.

Read the text display first

In the menu **Man**, choose the function; manual, permanent, random or holiday programme by pressing the "+" or "-" key. Confirm your selection by pressing the "OK" key.

To cancel a function:

Select the function Clear.
Store your selection by pressing "OK".



Example:


Random start
19.30 h ON

Example:

Random finish
6.00 h Off

Effect of the holiday programme:

The holiday programme has the effect that the timer does **not** switch on the connected consumer unit between the programmed start and finish.

Start and finish of the programme is always **midnight** on the day it is programmed. If the holiday programme is active, the corresponding channel and holiday symbol  are displayed flashing on menu.

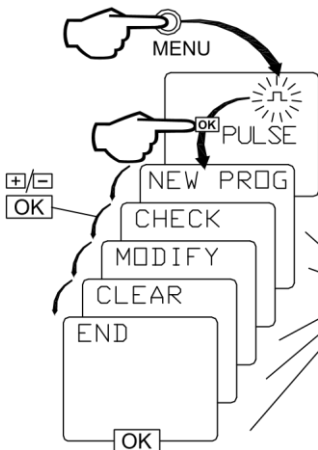
PULSE PROGRAMME

Up to 44 pulse memory locations can be preset.
The pulse times can be used in combination with the other switching times or on their own.

Example:


ON 07.00 Off 16.30

pulse Off 09.00, 11.00, 13.00, 15.00 during 59 seconds pulse ON
17.30, 19.30, 21.00 during 10 seconds



Effect of the pulse programme:

The pulse time can be set within the range 1 to 59 seconds.

Symbol  flashes as long as the pulse programme is active.


Always read the text display first of all. You will be provided with programming help. Confirm your selection by pressing the "OK" key.

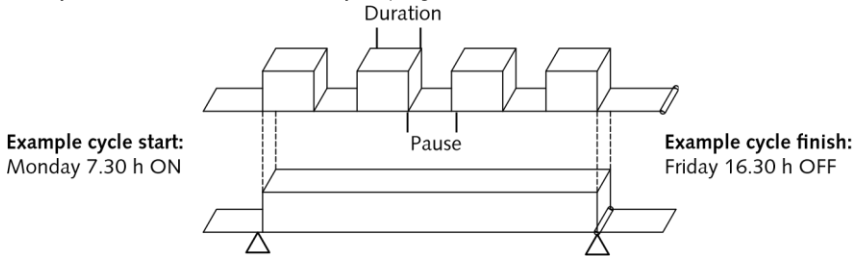
CYCLE PROGRAMME

The max. number of programmes with cycle function is 18.

Only channel 1 can be used with cycle function.

The pulse and pause duration can be set with different time settings with max. 99 minutes and 59 seconds. The cycle programme always begins with a switch on.

The symbol  flashes when the cycle programme is active.



MENU

Press the "Menu" key until **CYCLE** is displayed and press the "OK" key to confirm.

Select **NEW PROG** for new programme
CHECK to check any previous programmes
CLEAR to delete any programmes
END to finish
 Confirm by pressing "OK".

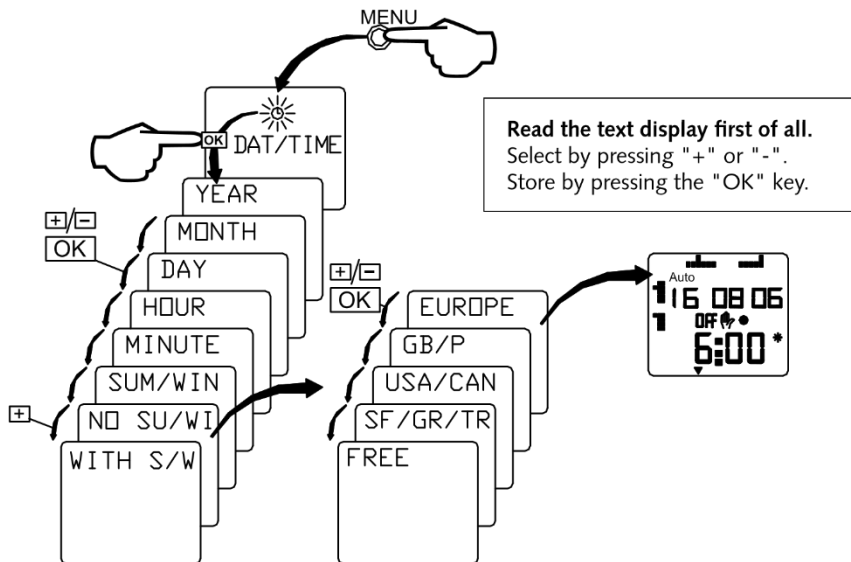
New cycle programme NEW PROG.
 Set the hour for cycle **start** and press "OK".
 Set the minute for cycle **start** and press "OK".
 Set the day for cycle **start** and press "OK".
 Set the minutes for cycle **duration** and press "OK".
 Set the seconds for cycle **duration** and press "OK".
 Set the minutes for cycle **pause** and press "OK".
 Set the seconds for cycle **pause** and press "OK".
 Set the hour for cycle **finish** and press "OK".
 Set the minute for cycle **finish** and press "OK".
 Set the day for cycle **finish** and press "OK".
 When **NEW PROG** is displayed, press the arrows until **END** is displayed and press "OK" to finish.

SETTING/CORRECTING THE DATE FOR SUMMER TIME

Automatic summer/winter time

The timer is pre-programmed with the European summer time which starts at the last Sunday in March and ends at the last Sunday in October. The time is always 02.00.

If you wish to alter the current settings, press "Menu", select DAT/TIME ☺ and go through all the date and time settings until "SUM/WIN" is displayed. press "OK" to confirm and follow the instructions on the display.



TO RESET THE TIMER

Reset date, language selection and any manual preselection.
When resetting the timer this does NOT delete any switching times. To delete the switching times, see "Individual Deletions".

press the "Res" key with a pointed object for about 1 second. for further instructions see "Basic Settings".

PIN CODE

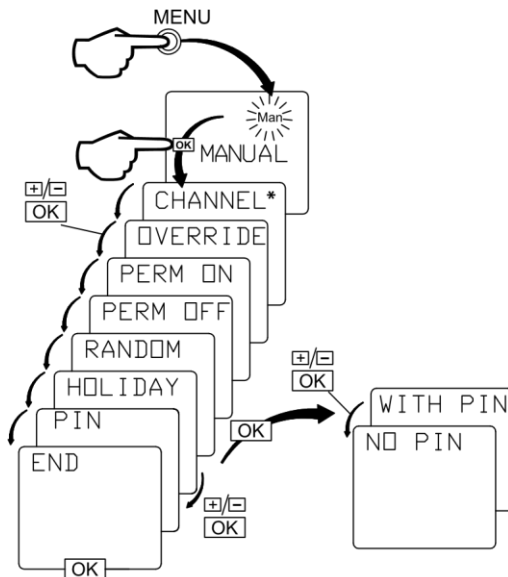
The device can be locked against unauthorized use with a 4 digit code number.
 Select the **Manual** menu using "+" or "-".
 Confirm with the "OK" button.

Selection WITH PIN

Select **WITH PIN** using "+" or "-".
 Confirm with the "OK" button. Make note of any desired 4 digit number.
 Select the first digit of your 4 digit code using "+" or "-".
 Confirm the entered digit with "OK".
 Select further digits as described using "+" or "-".
 Confirm each selected digit with the "OK" button.
 The device is locked 60 sec. after the last keystroke and can only be operated after the correct pIN code is entered.

Selection WITHOUT PIN

Select **WITHOUT PIN** using "+" or "-". Confirm with the "OK" button.



If a PIN code has been activated, the timer can no longer be activated without a valid PIN code after a RESET