

Catalogue number: **MT-□□-□□**



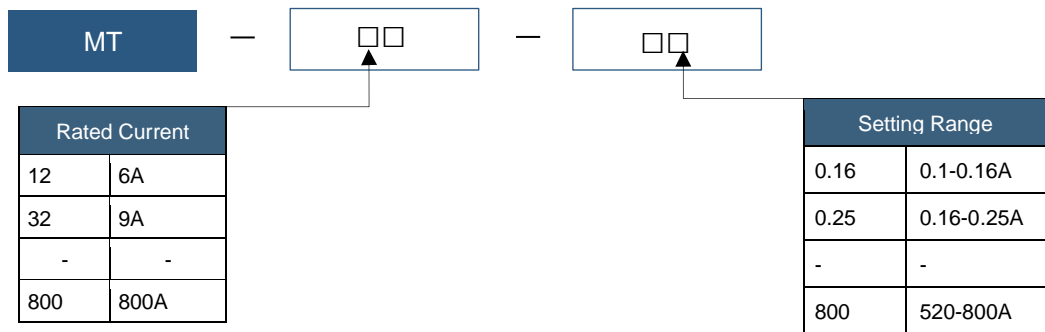
Thermal Overload Relay: 3 Pole 0.16A ~ 800A 6kV



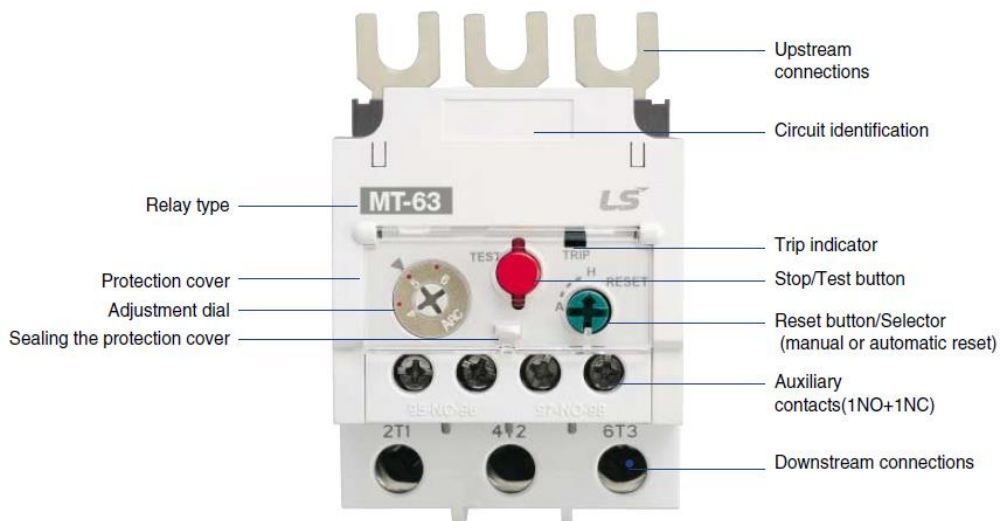
Thermal Overload Relay

- Direct Mount up to MC100A Contactors.
- 1 N/O and 1 N/C contacts.
- Manual or Automatic reset buttons
- Bi metal Strip Mechanism.
- Protection against Overloads, Phase Failures, long starting times, and prolonged stalling.

Generic photo only (actual product may change depending on configuration)



Overload Relay Configuration



Catalogue number: **MT-□□-□□**



Thermal Overload Relay: 3 Pole 0.16A ~ 800A 6kV

Trip Class 10A

Part no.	Suits Contactor	Setting Range	A
MT-32-0.16	MC-9B to MC-40A	0.1-0.16	
MT-32-0.25	MC-9B to MC-40A	0.16-0.25	
MT-32-0.4	MC-9B to MC-40A	0.25-0.4	
MT-32-0.63	MC-9B to MC-40A	0.4-0.63	
MT-32-1	MC-9B to MC-40A	0.63-1	
MT-32-1.6	MC-9B to MC-40A	1-1.6	
MT-32-2.5	MC-9B to MC-40A	1.6-2.5	
MT-32-4	MC-9B to MC-40A	2.5-4	
MT-32-6	MC-9B to MC-40A	4-6	
MT-32-8	MC-9B to MC-40A	5-8	
MT-32-9	MC-9B to MC-40A	6-9	
MT-32-10	MC-9B to MC-40A	7-10	
MT-32-13	MC-9B to MC-40A	9-13	
MT-32-18	MC-9B to MC-40A	12-18	
MT-32-22	MC-9B to MC-40A	16-22	
MT-32-25	MC-9B to MC-40A	18-25	
MT-32-32	MC-9B to MC-40A	22-32	
MT-32-40	MC-9B to MC-40A	32-40	
MT-63-36	MC50A to MC-65A	24-36	
MT-63-40	MC50A to MC-65A	28-40	
MT-63-50	MC50A to MC-65A	34-50	
MT-63-65	MC50A to MC-65A	45-65	

Part no.	Suits Contactor	Setting Range	A
MT-95-50	MC75A to MC-100A	34-50	
MT-95-65	MC75A to MC-100A	45-65	
MT-95-75	MC75A to MC-100A	54-75	
MT-95-85	MC75A to MC-100A	63-85	
MT-95-95	MC75A to MC-100A	70-95	
MT-95-100	MC75A to MC-100A	80-100	
MT-150-85	MC-130A to MC-150A	63-85	
MT-150-105	MC-130A to MC-150A	80-105	
MT-150-130	MC-130A to MC-150A	95-130	
MT-150-150	MC-130A to MC-150A	110-150	
MT-225-125	MC-185A to MC-225A	85-125	
MT-225-160	MC-185A to MC-225A	100-160	
MT-225-185	MC-185A to MC-225A	120-185	
MT-225-240	MC-185A to MC-225A	160-240	
MT-400-185	MC-265A to MC-400A	120-185	
MT-400-240	MC-265A to MC-400A	160-240	
MT-400-330	MC-265A to MC-400A	200-330	
MT-400-400	MC-265A to MC-400A	260-400	
MT-800-300	MC-500A to MC-800A	200-300	
MT-800-400	MC-500A to MC-800A	260-400	
MT-800-600	MC-500A to MC-800A	400-600	
MT-800-800	MC-500A to MC-800A	520-800	

Trip Class 20A

Part no.	Suits Contactor	Setting Range	A
MT-32-1.6	MC-9B to MC-40A	1-1.6	
MT-32-2.5	MC-9B to MC-40A	1.6-2.5	
MT-32-4	MC-9B to MC-40A	2.5-4	
MT-32-6	MC-9B to MC-40A	4-6	
MT-32-8	MC-9B to MC-40A	5-8	
MT-32-9	MC-9B to MC-40A	6-9	
MT-32-10	MC-9B to MC-40A	7-10	
MT-32-13	MC-9B to MC-40A	9-13	
MT-32-18	MC-9B to MC-40A	12-18	
MT-32-22	MC-9B to MC-40A	16-22	
MT-32-25	MC-9B to MC-40A	18-25	
MT-32-32	MC-9B to MC-40A	22-32	
MT-32-40	MC-9B to MC-40A	32-40	
MT-63-36	MC50A to MC-65A	24-36	
MT-63-40	MC50A to MC-65A	28-40	
MT-63-50	MC50A to MC-65A	34-50	
MT-63-65	MC50A to MC-65A	45-65	
MT-95-50	MC75A to MC-100A	34-50	
MT-95-65	MC75A to MC-100A	45-65	
MT-95-75	MC75A to MC-100A	54-75	

Part no.	Suits Contactor	Setting Range	A
MT-95-85	MC75A to MC-100A	63-85	
MT-95-95	MC75A to MC-100A	70-95	
MT-95-100	MC75A to MC-100A	80-100	
MT-150-85	MC-130A to MC-150A	63-85	
MT-150-105	MC-130A to MC-150A	80-105	
MT-150-130	MC-130A to MC-150A	95-130	
MT-150-150	MC-130A to MC-150A	110-150	
MT-225-125	MC-185A to MC-225A	85-125	
MT-225-160	MC-185A to MC-225A	100-160	
MT-225-185	MC-185A to MC-225A	120-185	
MT-225-240	MC-185A to MC-225A	160-240	
MT-400-185	MC-265A to MC-400A	120-185	
MT-400-240	MC-265A to MC-400A	160-240	
MT-400-330	MC-265A to MC-400A	200-330	
MT-400-400	MC-265A to MC-400A	260-400	
MT-800-300	MC-500A to MC-800A	200-300	
MT-800-400	MC-500A to MC-800A	260-400	
MT-800-600	MC-500A to MC-800A	400-600	
MT-800-800	MC-500A to MC-800A	520-800	

Catalogue number: **MT-□□-□□**



Thermal Overload Relay: 3 Pole 0.16A ~ 800A 6kV

Specifications			
Standards	IEC/EN 60947-1, IEC/EN 60947-4-1		
Certifications	CE, CSA, UL, CCC		
Rated operation voltage	Max. 690V		
Rated insulation voltage	690V		
Rated frequency	50/60Hz		
Degree of protection (Conforming to IEC 60 529)	IP 20		
Functions	Trip Indication	All Units	
	Stop	All Units Except MT16	
	Test	All Units	
	Reset	Manual/Automatic for All Units	
Ambient air temperature	Storage:	-55 ~ +80°C	
	Operation:	-5 ~ +40°C	
Mounting position	Vertical plane		
Shock resistance (Conforming to IEC 68-2-7)	15gn - 11ms		
Vibration resistance (Conforming to IEC68-2-6)	6G		
Insulation strength (Conforming to IEC 255-5)	6kV		
Rated impulse withstand voltage (Conforming to IEC 801-5)	6kV		
Auxiliary Contact Characteristics			
Composition	1NO +1NC		
Rated thermal current	5A		
Rated operation current	AC15 duty	120V	C600, R300
		240V	1.5A
		380V	0.75A
		480V	0.47A
		50V0V	0.375A
	DC13 duty	60V0V	0.35A
		120V	0.3A
		240V	0.22A
		240V	0.1A
Connecting conductor	Size	18AWG /1ml	
Connection to screw clamp terminals	Type	65/75°C Cu-wire	

Auxiliary Contact Operation

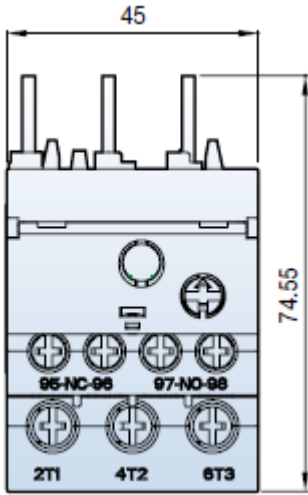
Terminal no.	Normal	STOP	TEST/TRIP	RESET
NC 95-96				
NO 97-98				

Catalogue number: **MT-□□-□□**

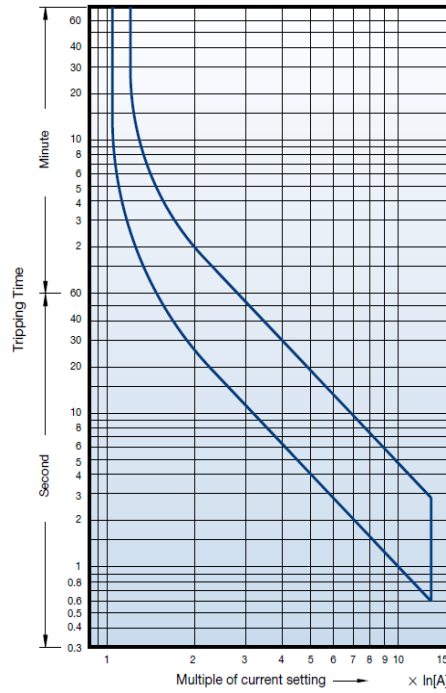


Thermal Overload Relay: 3 Pole 0.16A ~ 800A 6kV

MT-32 Dimensions and Trip Curves



Cold starting



Hot starting

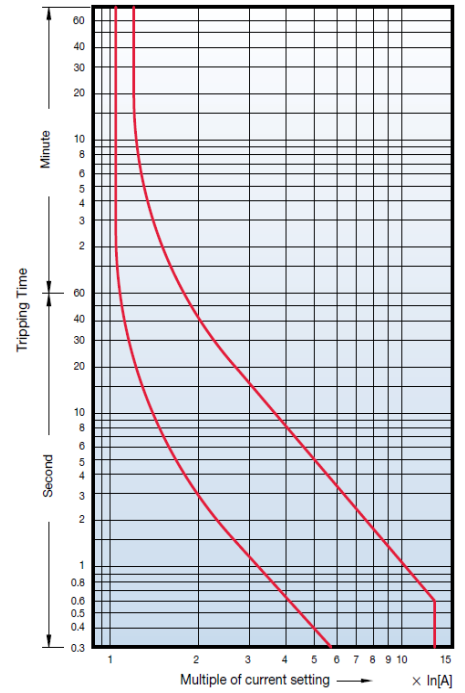
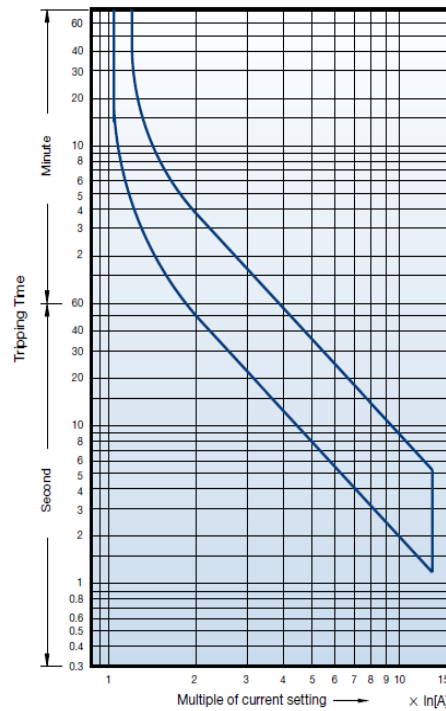


Figure 1 Class 10A

Cold starting



Hot starting

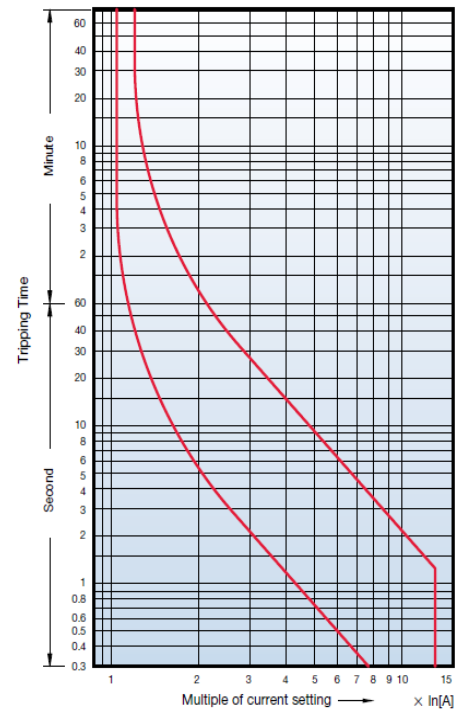
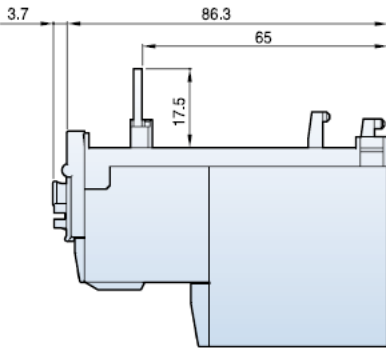


Figure 2 Class 20A

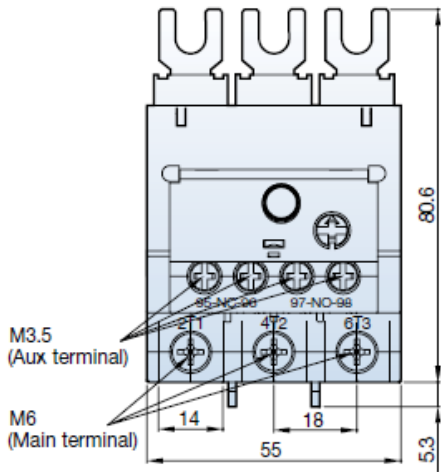


Catalogue number: **MT-□□-□□**

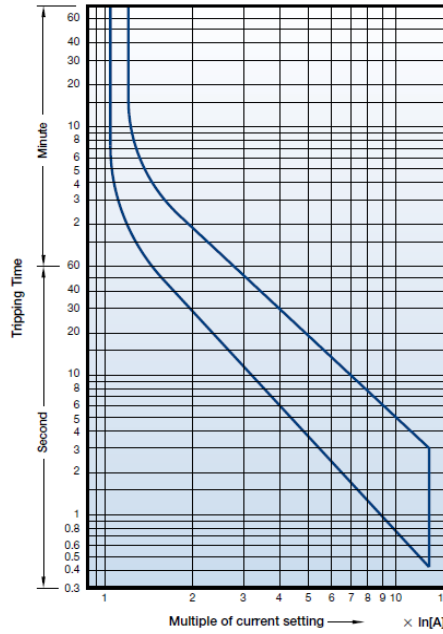


Thermal Overload Relay: 3 Pole 0.16A ~ 800A 6kV

MT-63 Dimensions and Trip Curves



Cold starting



Hot starting

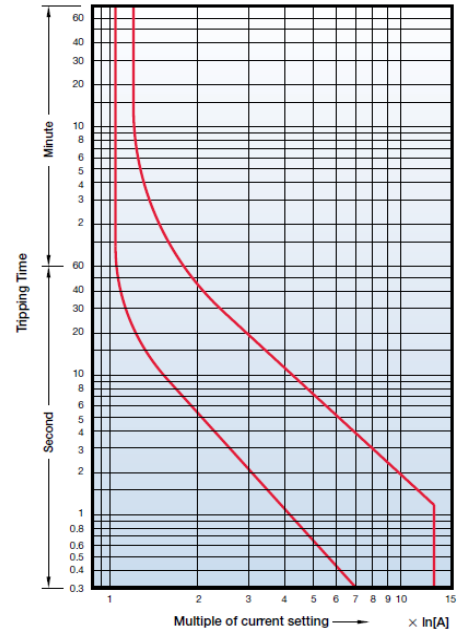
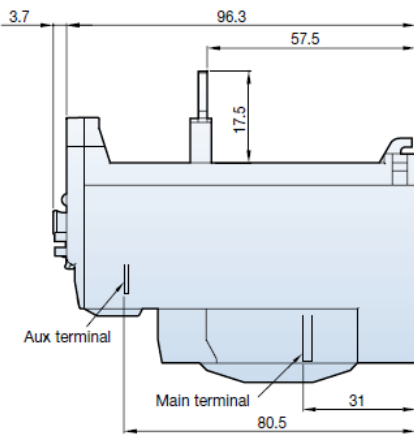


Figure 3 Trip Class 10A

Cold starting



Hot starting

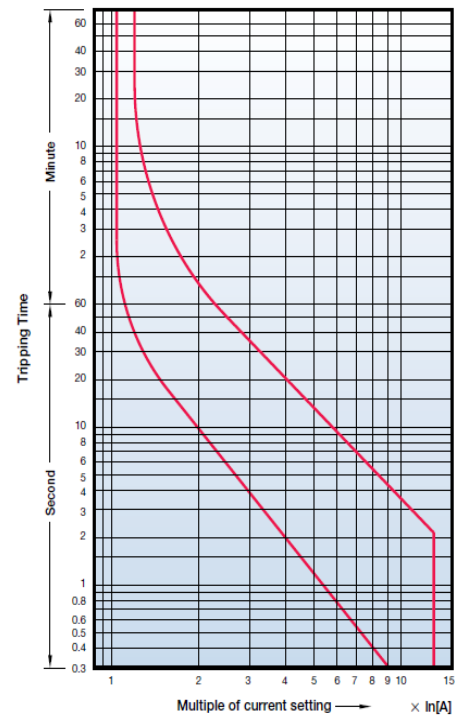
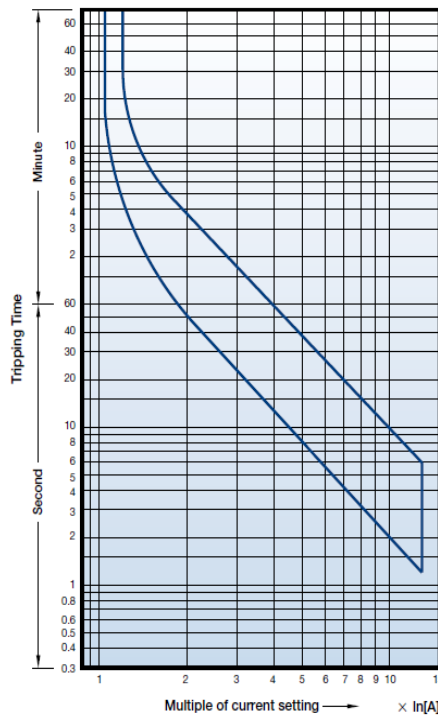


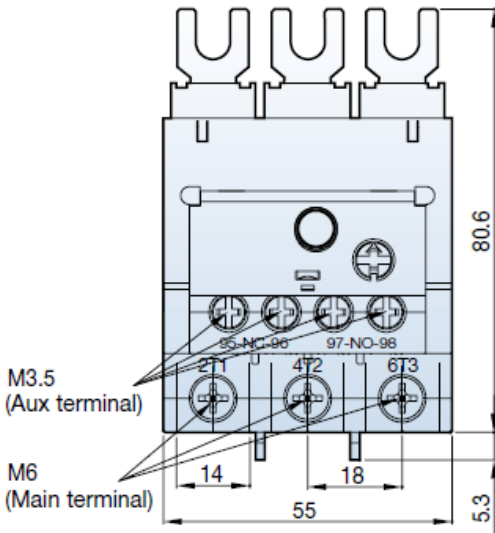
Figure 4 Trip Class 20A

Catalogue number: **MT-□□-□□**

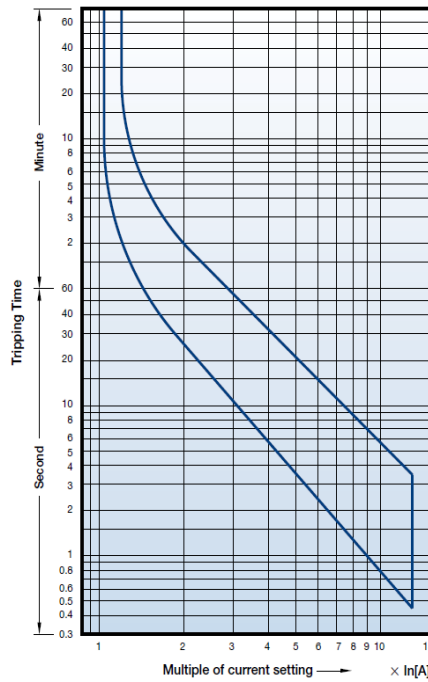


Thermal Overload Relay: 3 Pole 0.16A ~ 800A 6kV

MT-95 Dimensions and Trip Curves



Cold starting



Hot starting

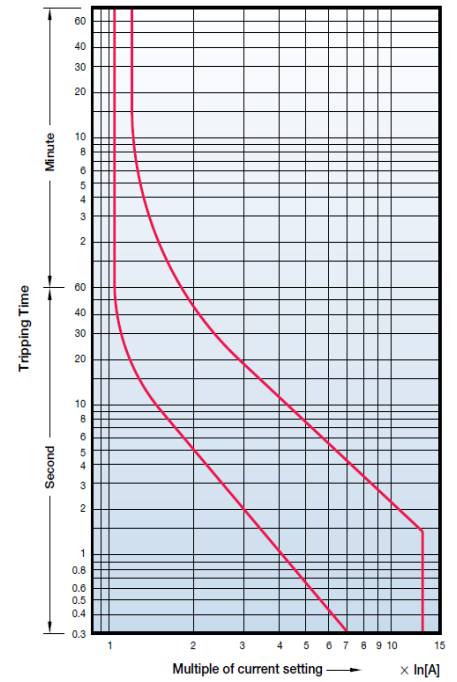
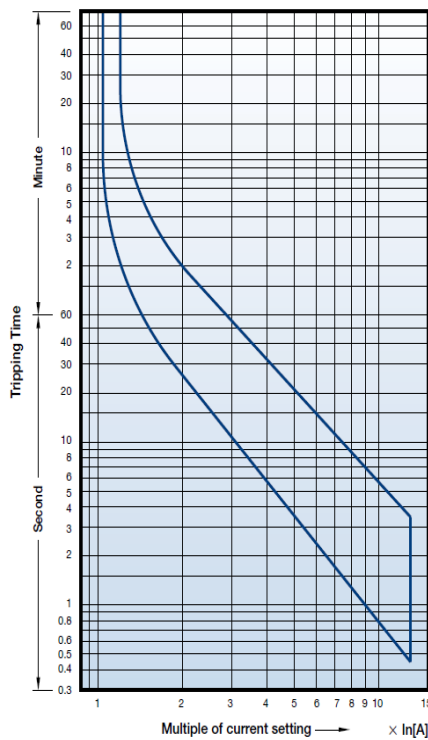
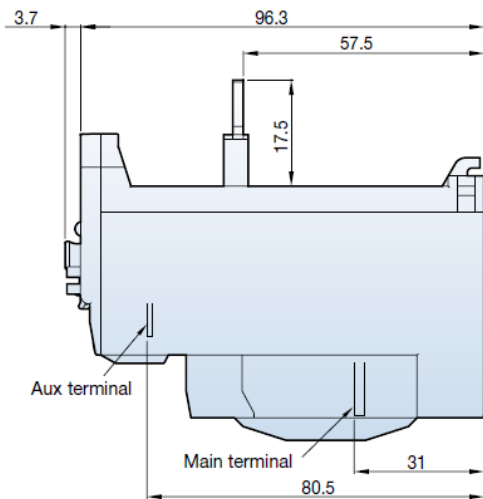


Figure 5 Trip Class 10A

Cold starting



Hot starting

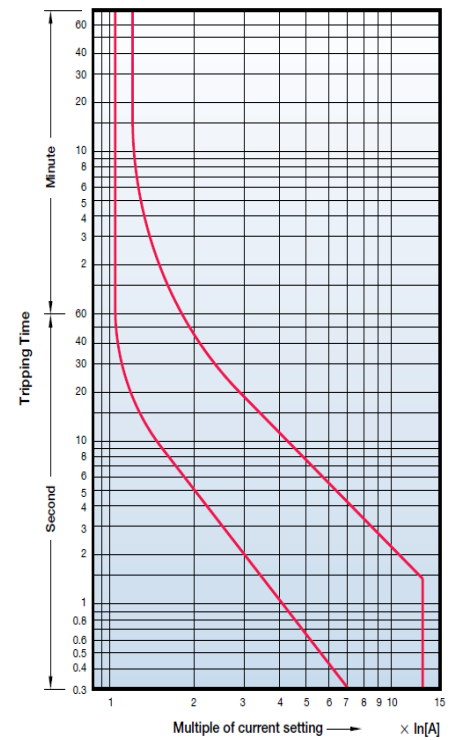


Figure 6 Trip Class 20A

Catalogue number: **MT-□□-□□**

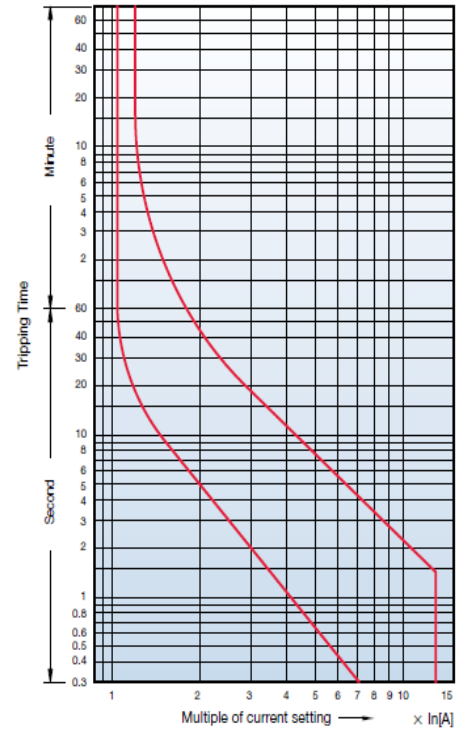
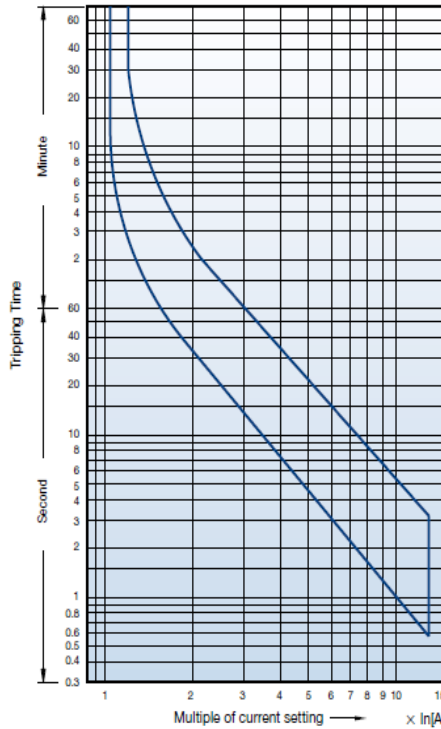
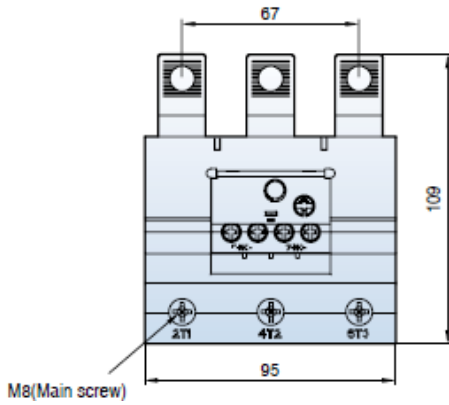


Thermal Overload Relay: 3 Pole 0.16A ~ 800A 6kV

MT-150 Dimensions and Trip Curves

Cold starting

Hot starting



Cold starting

Hot starting

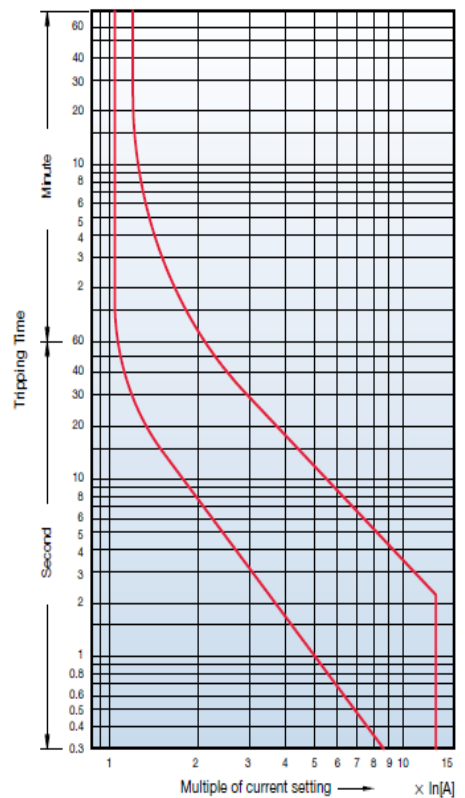
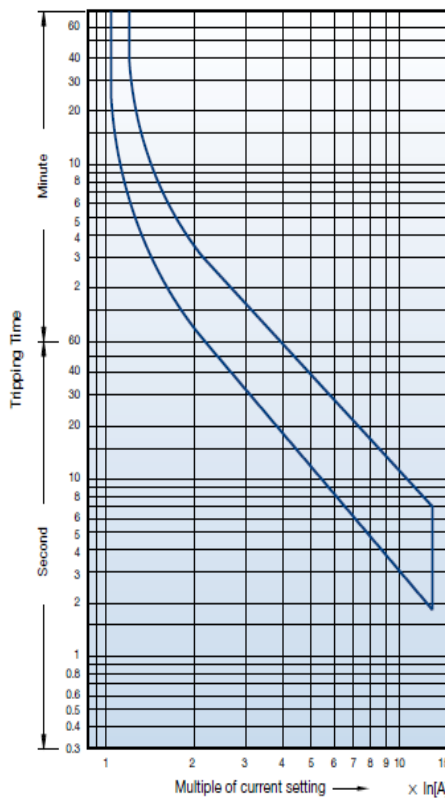
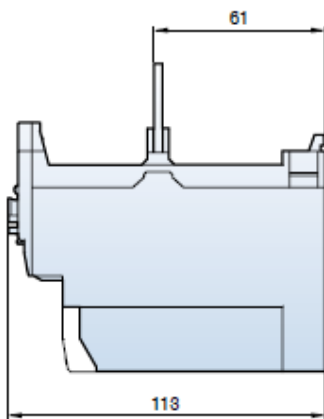


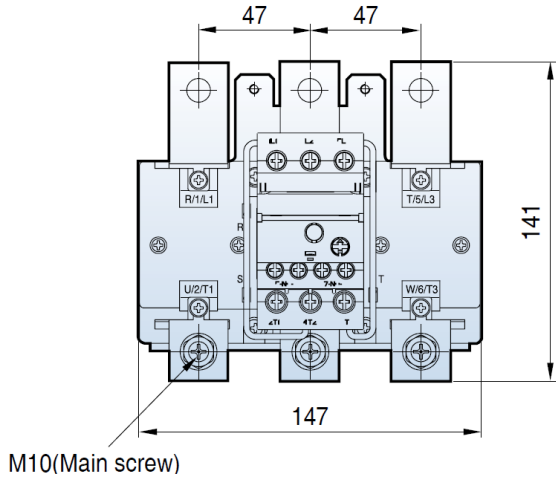
Figure 8 Trip Class 20A

Catalogue number: **MT-□□-□□**

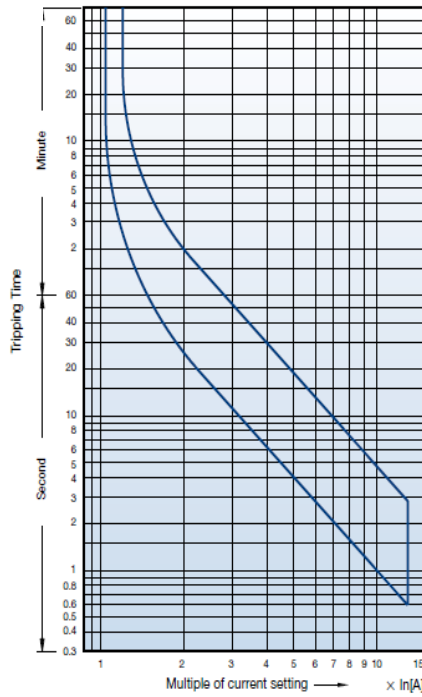


Thermal Overload Relay: 3 Pole 0.16A ~ 800A 6kV

MT-225 Dimensions and Trip Curves



Cold starting



Hot starting

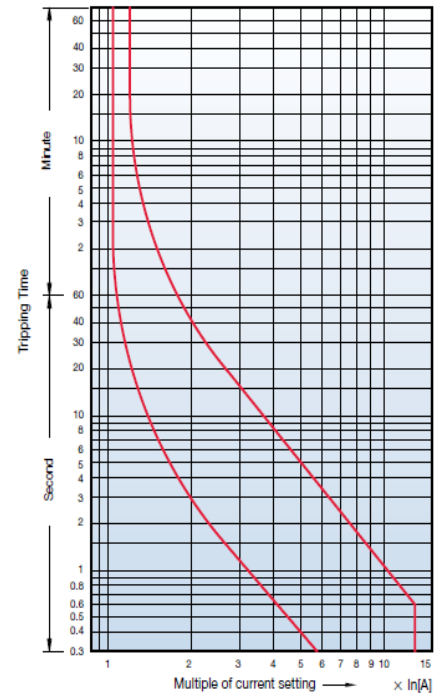
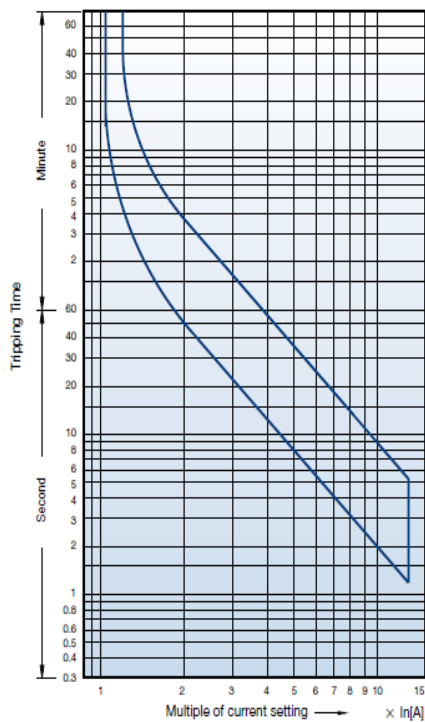
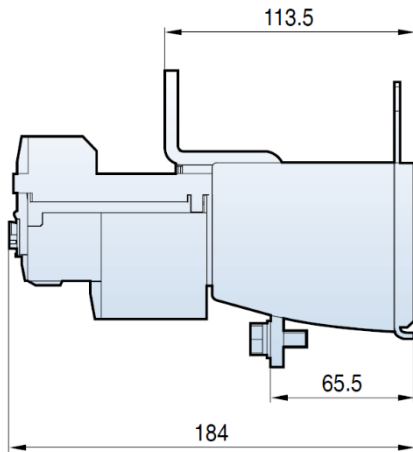


Figure 9 Trip Class 10A

Cold starting



Hot starting

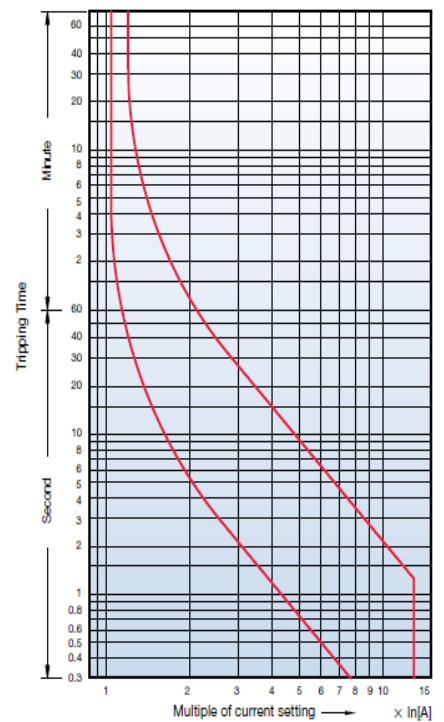


Figure 10 Trip Class 20A

MT-400 Dimensions and Trip Curves

Cold starting

Hot starting

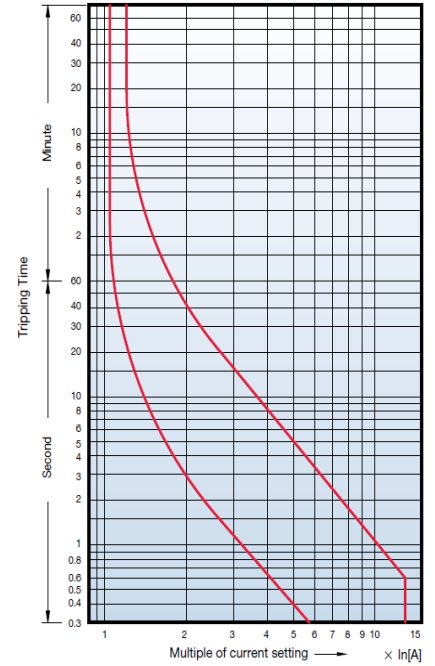
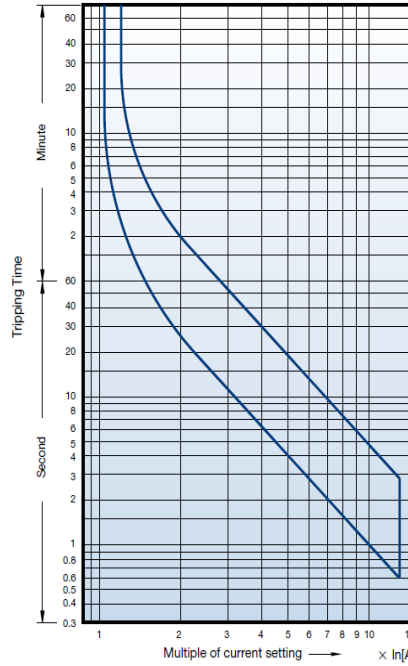
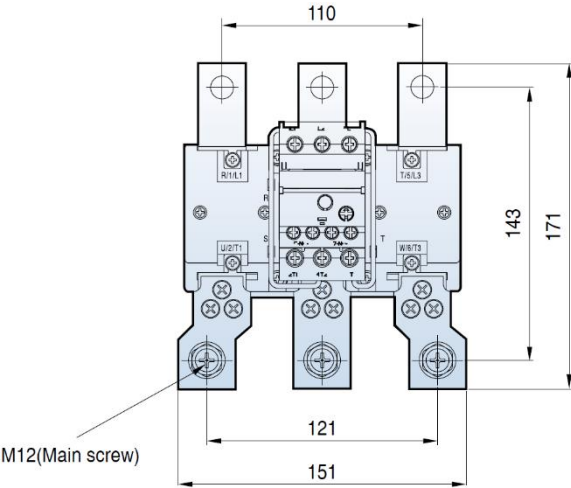


Figure 11 Trip Class 10A

Cold starting

Hot starting

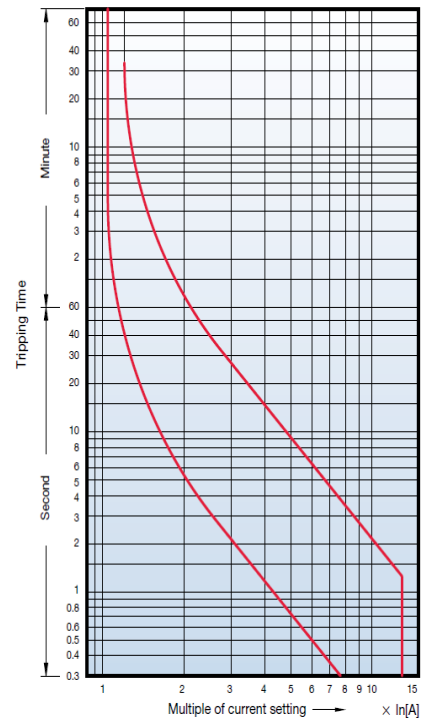
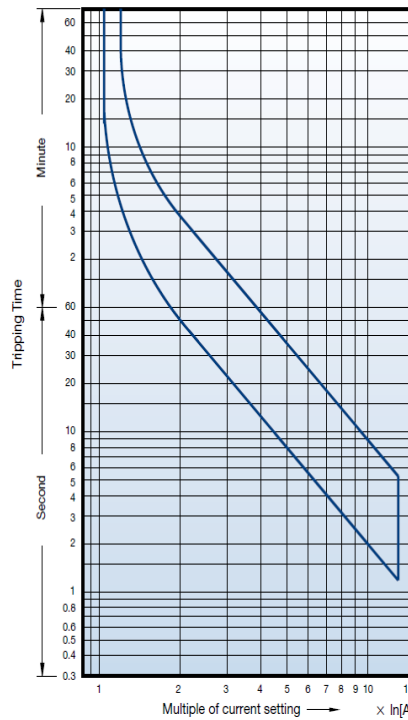
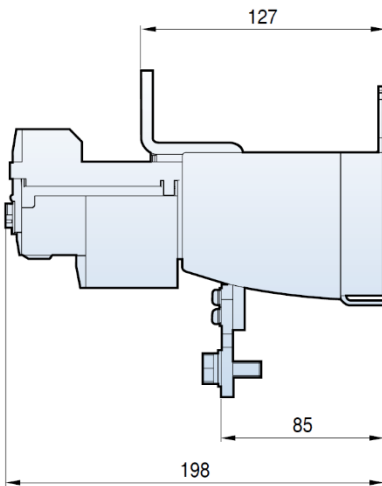


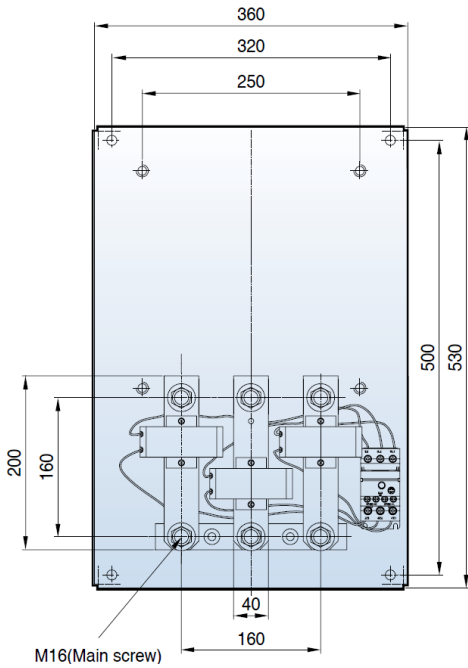
Figure 12 Trip Class 20A

Catalogue number: **MT-□□-□□**



Thermal Overload Relay: 3 Pole 0.16A ~ 800A 6kV

MT-800 Dimensions and Trip Curves



Cold starting

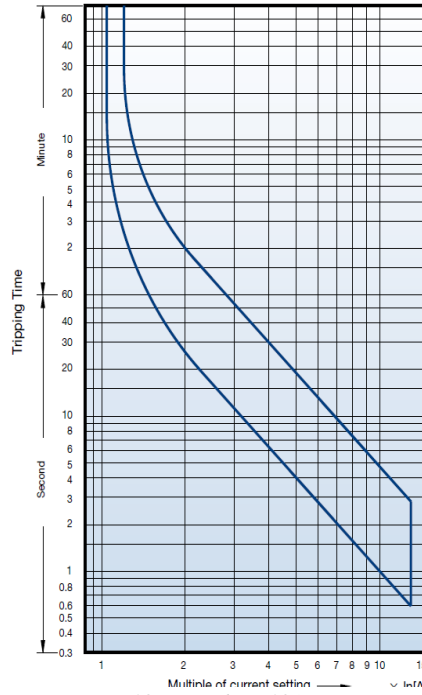
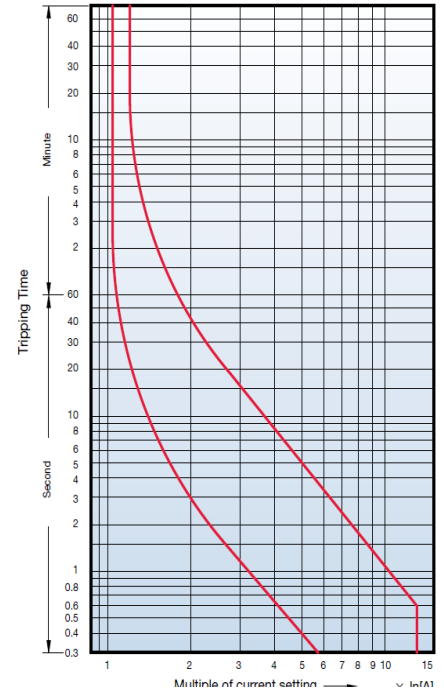


Figure 13 Trip Class 10A

Hot starting



Cold starting

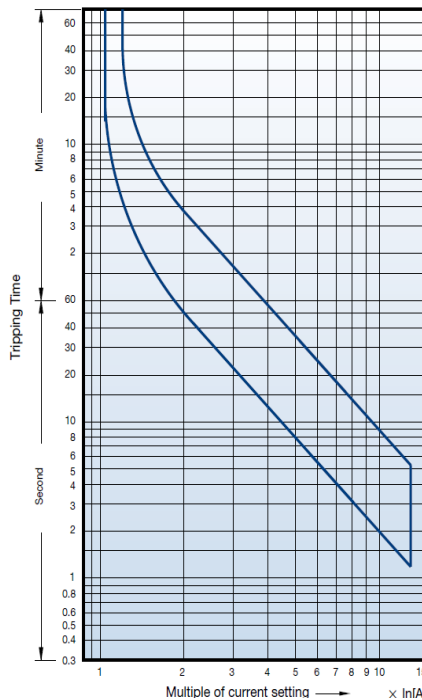


Figure 14 Trip Class 20A

Hot starting

